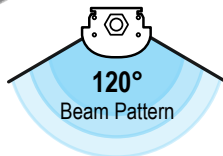
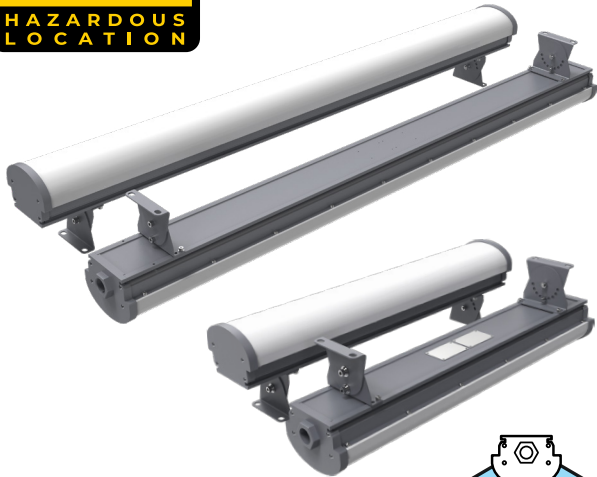


# HCSR Series

## The STING RAY™

Hazardous Location LED Lighting



High Vibration  
RESISTANCE



5935 West 84th St. | Indianapolis, IN 46278 | 1-800-840-5635 | www.SolasRay.com

Cat. #	Type
Notes	

### CERTIFICATIONS / RATINGS



### CLASS / DIVISION

- Class I, Div 2, Groups A, B, C, D

### KEY FEATURES AND BENEFITS

- Durable Class I, Div 2 linear LED industrial light.
- Available in 2 ft or 4 ft lengths.
- Emergency battery backup option available.
- High grade aluminum alloy housing with polycarbonate lens.
- Built in 4KV/6KV surge protection.
- Anti-glare - >90% light transmit - 120° beam pattern.
- Suitable for wet locations and marine environment.
- IP66 rated - high protection for water and dust intrusion.
- DLC V5.1 Standard\* - See chart for which models are DLC rated.

### SPECIFICATIONS

<b>Voltage</b>	100-277 VAC
<b>Wattage</b>	30W / 40W / 50W / 60W / 65W / 75W
<b>Color Temp</b>	5000K standard / 3000K / 4000K / 6000K
<b>Housing</b>	Aluminum alloy
<b>Color</b>	Gray
<b>Lens</b>	Polycarbonate
<b>Lifetime</b>	50,000 hrs L70
<b>Ambient Temperature</b>	-40°C (-40°F) to 50°C (122°F)
<b>T-Rating</b>	T5, T6
<b>CRI</b>	≥70
<b>Beam Angle</b>	120°
<b>Power Factor</b>	≥ 0.95

<b>Protection</b>	IP66
<b>Warranty</b>	5 Year Limited Warranty

### LUMENS (@ 5000K)

Length	30W	40W	50W	60W	65W	75W
2 ft	4,020	5,360	6,430	N/A	N/A	N/A
4 ft	N/A	5,550	6,850	8,450	8,850	9,530

### \*DLC APPROVED MODELS

Model	DLC Version	Length	Watts	Color Temp
HCSR2-030	5.1 Standard	2 ft	30W	3000K / 4000K / 5000K / 6000K
HCSR2-050	5.1 Standard	2 ft	50W	3000K / 4000K / 5000K / 6000K
HCSR4-050	5.1 Standard	4 ft	50W	3000K / 4000K / 5000K / 6000K
HCSR4-060	5.1 Standard	4 ft	60W	3000K / 4000K / 5000K / 6000K



### PRODUCT ORDERING SELECTION


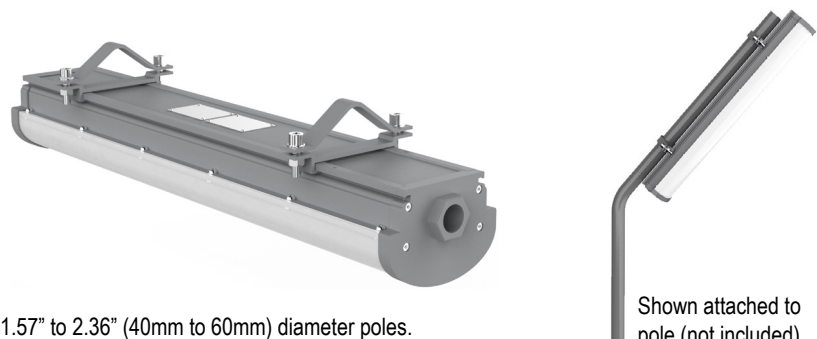
<input type="text"/>	<input type="text"/>	<input type="text"/>	<input type="text"/>	<input type="text"/>	<input type="text"/>
<b>Series/Length</b>	<b>Watts</b>	<b>Kelvin</b>	<b>Voltage</b>	<b>Mounting Options</b>	<b>Other Options</b>
<input type="checkbox"/> HCSR2 (2 ft)	<input type="checkbox"/> 030 - 30W <input type="checkbox"/> 040 - 40W <input type="checkbox"/> 050 - 50W	<input type="checkbox"/> 50 - 5000K (standard) <input type="checkbox"/> 30 - 3000K <input type="checkbox"/> 40 - 4000K <input type="checkbox"/> 60 - 6000K	<input checked="" type="checkbox"/> U - 100-277 VAC	<input type="checkbox"/> AB - Adjustable Bracket <input type="checkbox"/> FM - Flush Mount <input type="checkbox"/> CM - Chain Mount <input type="checkbox"/> PM - Pole Mount	<input type="checkbox"/> EM - Emergency 90min Battery Backup
<input type="checkbox"/> HCSR4 (4 ft)	<input type="checkbox"/> 040 - 40W <input type="checkbox"/> 050 - 50W <input type="checkbox"/> 060 - 60W <input type="checkbox"/> 065 - 65W <input type="checkbox"/> 075 - 75W				

# HCSR Series

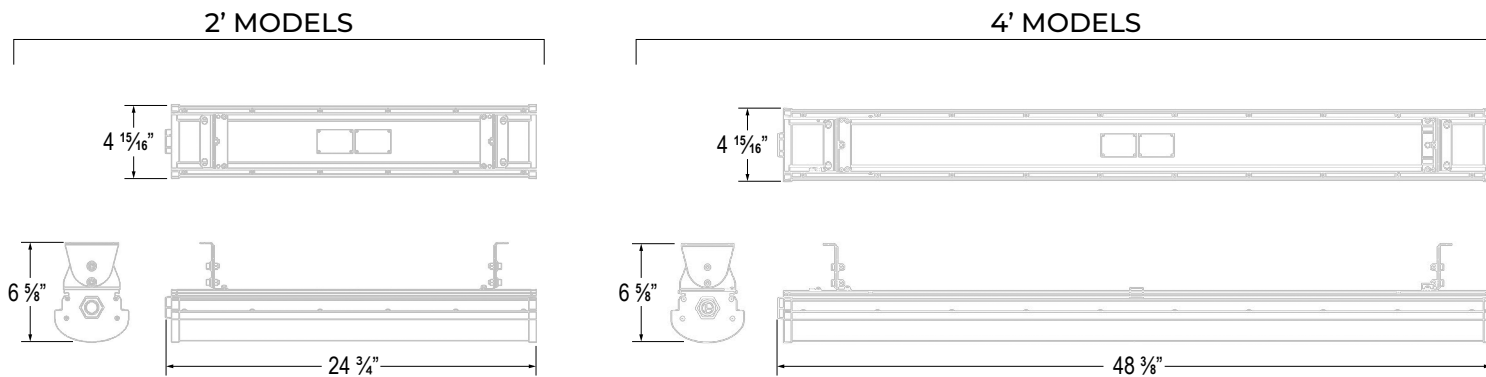
## The STING RAY™

### MOUNTING OPTIONS

#AB - Adjustable Bracket	#FM - Flush Mount
<p>Can be used as a ceiling mount or wall mount. +/- 60° adjustable.</p> 	<p>Can be used as a ceiling mount or wall mount.</p> 

#CM - Chain Mount	#PM - Pole Mount
<p>Included chains are 39" (100cm) in length.</p> 	<p>Fits 1.57" to 2.36" (40mm to 60mm) diameter poles.</p>  <p>Shown attached to pole (not included).</p>

### WEIGHTS AND DIMENSIONS



**WEIGHTS**

2 ft	4 ft
10.1 lb	17.0 lb