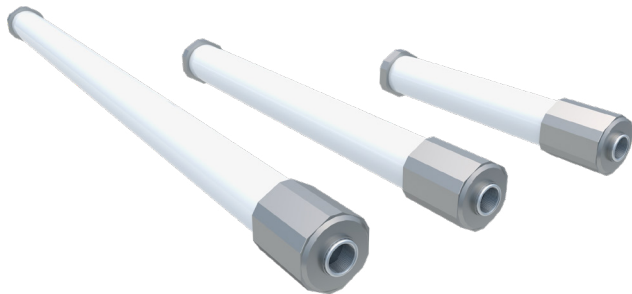


# HTSP Series

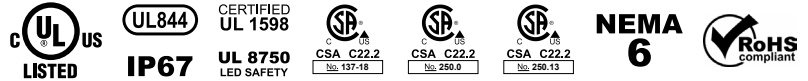
## The *SPRITE*™

Hazardous Location LED Lighting



Cat. #	Type
Notes	

### CERTIFICATIONS / RATINGS



### CLASS / DIVISION

- Class I, Div 2, Groups A, B, C, D
- Class II, Div 2, Groups F, G
- Class III

### KEY FEATURES AND BENEFITS

- Hazardous location / wet location / marine location LED light.
- Corrosion resistant, marine grade, copper free aluminum housing.
- Impact and heat resistant polycarbonate lens.
- Includes outlet box for ease of installation.
- Available in 1', 2' and 4' lengths.

### SPECIFICATIONS

<b>Voltage</b>	120VAC / 277VAC / 347VAC / 480VAC
<b>Wattage</b>	10W / 20W / 40W / 60W
<b>Color Temp</b>	3000 / 5000 Kelvin
<b>Housing</b>	Coated aluminum alloy
<b>Color</b>	Gray
<b>Lens</b>	Polycarbonate
<b>Lifetime</b>	60,000 hrs rated life
<b>CRI</b>	≥ 80 (3000K) / ≥70 (5000K)
<b>Beam Angles</b>	X-113° / Y-145°
<b>Power Factor</b>	cos ≥ 0.9
<b>Protection</b>	IP67 / NEMA 6
<b>Entrance Thread</b>	3/4" NPT
<b>Warranty</b>	5 Year Limited Warranty

### CLASS/ DIVISION / TEMPERATURE

Class / Division	Ambient Temperature	T-Rating	IP Rating
Class I Division 2 Groups A, B, C, D	-40°C (-40°F) ~ +55°C (131°F)	T4	IP67
	-40°C (-40°F) ~ +60°C (140°F)	T3C	
Class II Division 2 Groups F, G	+50°C (122°F)	T6	
	+60°C (140°F)	T5	
Class III	N/A	N/A	

### LUMENS

Kelvin	10W	20W	40W	60W
3000K	900	1,800	3,600	5,400
5000K	1,000	2,000	4,000	6,000

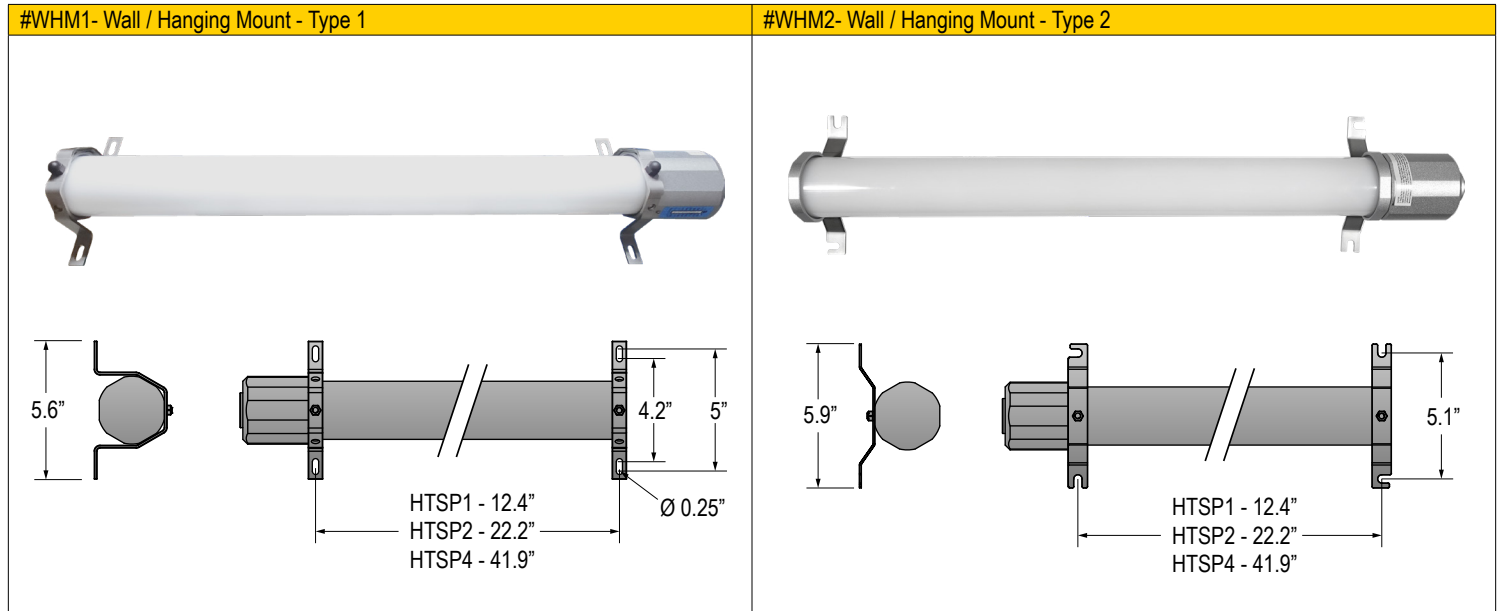
### PRODUCT ORDERING SELECTION

<input type="text"/>	-	<input type="text"/>	-	<input type="text"/>	-	<input type="text"/>	-	<input type="text"/>
<b>Series/Length</b>		<b>Watts</b>		<b>Kelvin</b>		<b>Voltage</b>		<b>Mounting Options</b>
<input type="checkbox"/> HTSP1 (1 ft)		<input type="checkbox"/> 010 - 10w		<input type="checkbox"/> 30 - 3000K		<input type="checkbox"/> 12 - 120VAC		<input type="checkbox"/> WHM1 - Wall/Hanging Mount - Type1
<input type="checkbox"/> HTSP2 (2 ft)		<input type="checkbox"/> 020 - 20w		<input type="checkbox"/> 50 - 5000K		<input type="checkbox"/> 27 - 277VAC		<input type="checkbox"/> WHM2 - Wall/Hanging Mount - Type2
<input type="checkbox"/> HTSP4 (4 ft)		<input type="checkbox"/> 040 - 40w				<input type="checkbox"/> 34 - 347VAC	} (10W / 20W / 40W Only)	
		<input type="checkbox"/> 060 - 60w				<input type="checkbox"/> 48 - 480VAC		

# HTSP Series

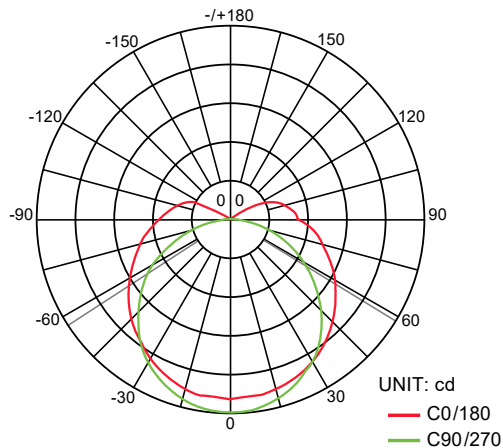
## The *SPRITE*™

### MOUNTING OPTIONS

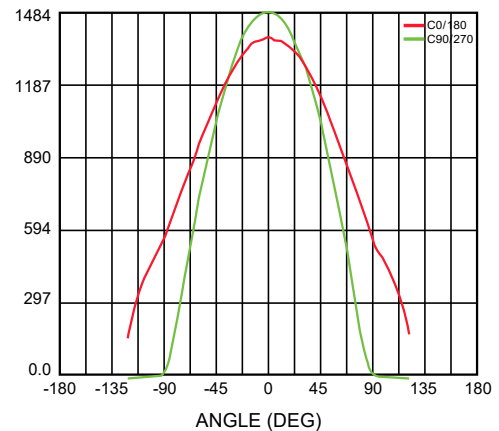


### BEAM SPREAD

POLAR LUMINOUS INTENSITY DISTRIBUTION



LUMINOUS INTENSITY DISTRIBUTION DIAGRAM



### WEIGHTS AND DIMENSIONS

#### WEIGHTS

	HTSP1 (1')	HTSP2 (2')	HTSP4 (4')
Without Mount	2.2 lb	3.1 lb	4.9 lb
w/ WHM1 Mount	2.5 lb	3.4 lb	5.2 lb
w/ WHM2 Mount	2.4 lb	3.3 lb	5.1 lb

