

SOFL Series

The SOLAR FLARE™

Solar Powered LED Bollard



5935 West 84th St. | Indianapolis, IN 46278 | 1-800-840-5635 | www.SolasRay.com

Cat. #	Type
Notes	



Type V



Type II / Type III

CERTIFICATIONS / RATINGS



KEY FEATURES AND BENEFITS

- Solar powered LED designer bollard with great looks.
- IK10 rated anti-UV vandal-proof cover.
- Optional heated battery for cold environment operation (down to -40°C / -40°F).
- Up to 5 working nights without sunshine (40-50 working hours on full charge).
- 350 lumen max output.
- Selectable color temperature (3000K / 5000K), (3000K / 4000K) or (5000K/Turtle Friendly Amber).
- 11.25" diameter housing for large solar panel to maximum light collection.
- Ultra efficient 180 lumens per watt.
- Four selectable working modes (see p2).
- Automatically reduces output when battery is below 20% capacity to allow for longer operating time on continuous rainy/cloudy days.
- Die-cast housing with marine class coating.
- Direct bury pole option.

SPECIFICATIONS

Lumens	350 lm
LED Wattage	1.75 W
Beam Angles	Type II / Type III / Type V
Color Temp	Selectable 3000K/5000K, 3000K/4000K or 5000K/Amber
Housing	Die-cast aluminum with marine grade coating
Ambient Temperature	-20°C (-4°F) to 60°C (140°F) -40°C (-40°F) to 60°C (140°F) w/ battery warmer
Lifetime	>50,000 hrs LM80
Color	Black
Solar Panel	8W mono-crystalline
Battery Type	7.4V Li-ion
Battery Capacity	10Ah / 74Wh
Working Hours	40-50 hours on full charge
Charging Time	8-10 hours
Warranty	2 Year Limited Warranty

PRODUCT ORDERING SELECTION

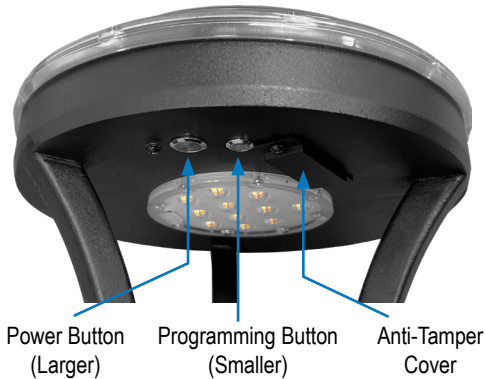
SOFL	175				
Series	Watts	Kelvin	Lens	Height	Options
<input checked="" type="checkbox"/> SOFL	<input checked="" type="checkbox"/> 175 - 1.75W	<input type="checkbox"/> 3050S - 3000K / 5000K Selectable <input type="checkbox"/> 3040S - 3000K / 4000K Selectable <input type="checkbox"/> 50AMS - 5000K / Amber Selectable (Amber color is turtle friendly)	<input type="checkbox"/> T5 - Type V <input type="checkbox"/> T3 - Type III <input type="checkbox"/> T2 - Type II	<input type="checkbox"/> 33 - 33.5 in (standard) <input type="checkbox"/> 21 - 21.5 in	<input type="checkbox"/> DB - Direct Bury Pole (33.5 in height only) <input type="checkbox"/> PTC - Battery Warmer (for cold climates / -40°C)

SOFL Series

The SOLAR FLARE™

SELECTABLE WORKING MODES

The Solar Flare features 4 pre-programmed working modes. You can set the working mode by pressing and holding the programming button for 3 seconds after which the light will come on once indicating it is in profile 1. Press the programming button again to move to the next profile. The light will blink to indicate which profile is set.



Profile	Light Settings
1	6 hours at 100% / Then Off
2	6 hours at 100% / Then 25%
3	4 hours at 100% / 4 hours at 40% / Then Off
4	Dusk to Dawn at 50%

BATTERY WARMER OPTION (PTC)



The optional PTC battery warmer is recommended in locations where winter temperatures reach 0°C / 32°F. Even with the battery warmer option, the Solar Flare is not recommended for temperatures below -40°C / -40°F.

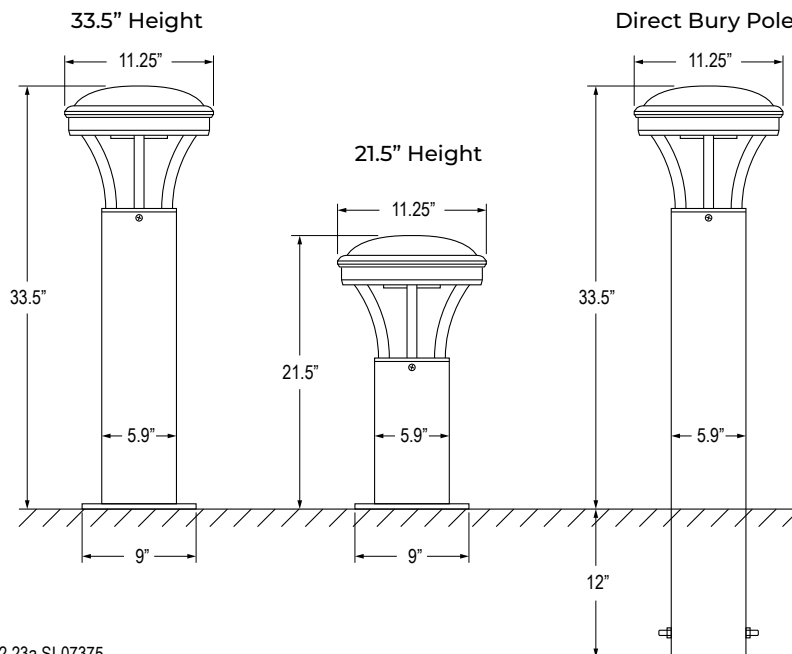
Zone 1 - PTC Battery warmer recommended.

Do not install in locations where temperatures go below -40°C / -40°F)

Zone 2 - PTC Battery warmer recommended.

Zone 3 - PTC Battery warmer not necessary.

WEIGHTS AND DIMENSIONS



WEIGHTS

Configuration	lbs
33.5" Height	14.4 lb
21.5" Height	11.1 lb
w/ Direct Bury Pole	19.9 lb

