

SEG Series

The Smile™

Designer Bollard

Cat. #	Type
Notes	



CERTIFICATIONS / RATINGS



KEY FEATURES AND BENEFITS

- Architectural design bollard perfect for pathways, gardens, entrances, etc.
- Durable aluminum construction with UV resistant powder coated finish.
- Available in 2 heights: 42" and 20".
- Optional full cut-off visor to direct light to one side.
- Type V distribution.
- Includes mounting kit with anchor bolts.
- Optional direct burial base.
- IP66 protection.
- IK10 impact rating.

Optional direct burial base.
No concrete required.
5" x 20"



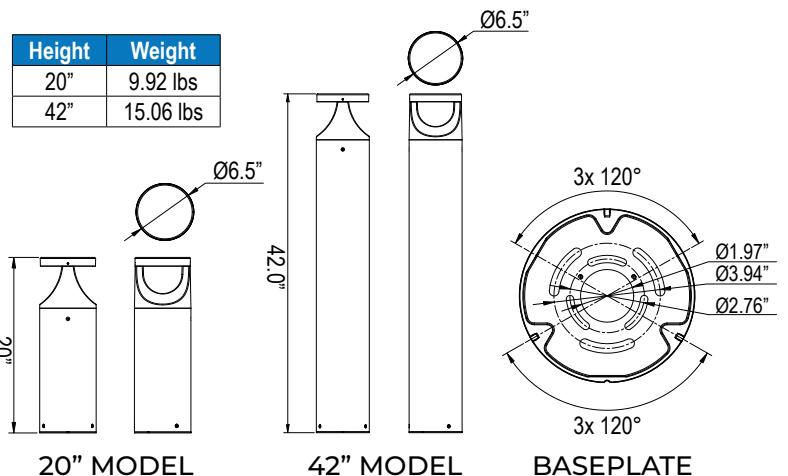
SPECIFICATIONS

Voltage	120-277vAC
Wattage	14w / 24w
Color Temp	3000 / 4000 / 5000 Kelvin
Housing	Aluminum alloy with UV resistant powder coating
Color	Black (RAL 9017)
Lens	Polycarbonate
Optics	Type V
Lifetime	124,600 hrs L70
Power Factor	>0.9
Efficacy	120 lm/w (14w) / 105 lm/w (24w)
Ambient Temperature Protection	-30°C (-22°F) to 50°C (122°F)
Protection	IP66
Warranty	5 Year Limited Warranty

LUMENS

Watts	Lumens
14w	1,680 lm
24w	2,520 lm

WEIGHTS AND DIMENSIONS



PRODUCT ORDERING SELECTION

SEG	-		-	U	-		-	
Series	Watts	Kelvin	Voltage	Height	Options / Accessories			
<input checked="" type="checkbox"/> SEG	<input type="checkbox"/> 014 - 14w <input type="checkbox"/> 024 - 24w	<input type="checkbox"/> 30 - 3000K <input type="checkbox"/> 40 - 4000K (Std) <input type="checkbox"/> 50 - 5000K	<input checked="" type="checkbox"/> U - 120-277vAC	<input type="checkbox"/> 42 - 42" <input type="checkbox"/> 20 - 20"	<input type="checkbox"/> FCV - Full Cut-off Visor <input type="checkbox"/> DIM - Dimmable <input type="checkbox"/> DBB - Direct Burial Base			