

HTR7 Series

The LOOKOUT™ C Series Hazardous Location Lighting



40w



60w

CRUSH RESISTANT HOUSING

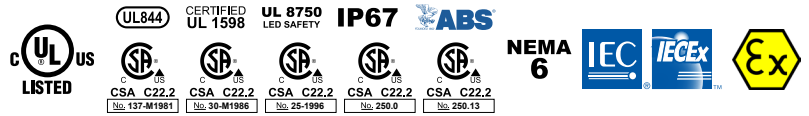
MARINE GRADE

High Vibration RESISTANCE

TAA COMPLIANT

Cat. #	Type
Notes	

CERTIFICATIONS / RATINGS



KEY FEATURES AND BENEFITS

- Vibration / anti-resonance design.
- Crush resistant with high impact resistance.
- Marine grade housing / salt water spray resistant.
- Atmospheric pressure tolerance up to 10 meter depth.
- Factory installed stainless steel cable gland included standard. Precision machined and torque tested.
- IP67 rating.



Included cable gland

SPECIFICATIONS

Voltage	24VAC / 120VAC / 277VAC / 480VAC
Wattage	40W / 60W
Color Temp	3000 / 5000 Kelvin
Housing	Coated copper free aluminum alloy
Color	Gray
Lens	Tempered glass
Lifetime	60,000 hrs L70
CRI	≥ 80 (3000K) / ≥70 (5000K)
Beam Angles	X-110° / Y-110°
Power Factor	cos ≥ 0.9, cos ≥ 0.87 (480vAC)
Protection	IP67 / NEMA 6
Warranty	5 Year Limited Warranty <small>(See non-hazardous location applications for warranty exceptions)</small>

CLASS / DIVISION / TEMPERATURE

Models	Class / Division	Ambient Temperature	T-Rating	IP Rating
HTR7C1	Class I Division 1 Groups B, C, D	-40°C ~ +40°C (-40°F ~ 104°F)	T6	IP67
	Class II Division 1 Groups E, F, G	+40°C (+104°F)	T4	IP67
	Class III	N/A	N/A	IP67
HTR7C2	Class I Division 2 Groups A, B, C, D	-40°C ~ +40°C (-40°F ~ 104°F)	T3C	IP67
	Class II Division 1 Groups E, F, G	+40°C (+104°F)	T4	IP67
	Class III	N/A	N/A	IP67

HIGH AMBIENT TEMPERATURE APPLICATIONS

Non-Hazardous Location Applications - Temperature / Warranty Information		
Some models of this light are rated for high ambient temperature operation in non-hazardous locations . In hazardous locations, the lights MUST be operated within the UL rated temperature range detailed in the Class/Division/Temperature chart above. Warranty limitations apply to high ambient temp. operation.		
Models	Max Ambient Temp.	Warranty
40W 120/277VAC	100°C (212°F)	1 Year Limited Warranty
40W & 60W 120/277/480 VAC	85°C (185°F)	2 Year Limited Warranty
All Models	65°C (149°F)	5 Year Limited Warranty

LUMENS

Kelvin	40w	60w
3000K	3,800	5,700
5000K	4,000	6,000

PRODUCT ORDERING SELECTION

--	--	--	--	--	--

Series	Watts	Kelvin	Voltage	Mounting Options	Other Options
<input type="checkbox"/> HTR7C1 (CID1 / CIID1 / CIII)	<input type="checkbox"/> 040 - 40W <input type="checkbox"/> 060 - 60W	<input type="checkbox"/> 30 - 3000K <input type="checkbox"/> 50 - 5000K	<input type="checkbox"/> 024 - 24VAC <input type="checkbox"/> 120 - 120VAC <input type="checkbox"/> 277 - 277VAC <input type="checkbox"/> 480 - 480VAC	<input type="checkbox"/> AB - Adjustable Bracket (Wall, Ceiling & Hanging) <input type="checkbox"/> PM - Pendant Mount (HTR7C2 Only)	<input type="checkbox"/> 304SS - 304 Stainless Steel Bracket & Hardware (Standard) <input type="checkbox"/> 316SS - 316 Stainless Steel Bracket & Hardware <input type="checkbox"/> FLC - Fluorocarbon Coating <input type="checkbox"/> REF-14 - 14.5" Reflective Hood (HTR7C2 Only)
<input type="checkbox"/> HTR7C2 (CID2 / CIID1 / CIII)					

HTR7 Series

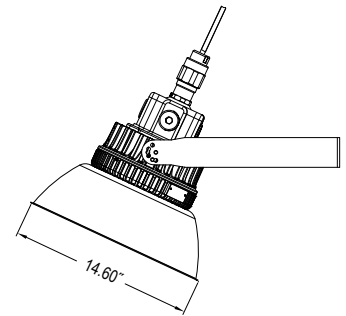
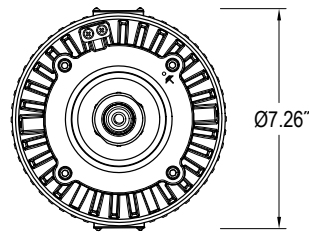
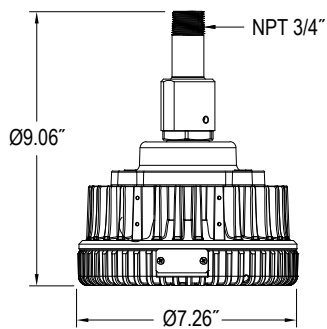
The LOOKOUT™ C Series

MOUNTING OPTIONS

#AB - Adjustable Bracket	#PM - Pendant Mount
<p>Adjustable bracket may be used for ceiling or wall mounting</p>	

WEIGHTS AND DIMENSIONS

Weight	
Without Bracket	9.9 lbs
With Bracket	11.0 lbs



#REF-14 - 14.5" Reflective Hood