

KSC Series

The *KEEPER™* SC

Hazardous Location LED Lighting

Cat. #	Type
Notes	

CERTIFICATIONS / RATINGS



CLASS / DIVISION

- Class I, Div 2, Groups A, B, C, D

KEY FEATURES AND BENEFITS

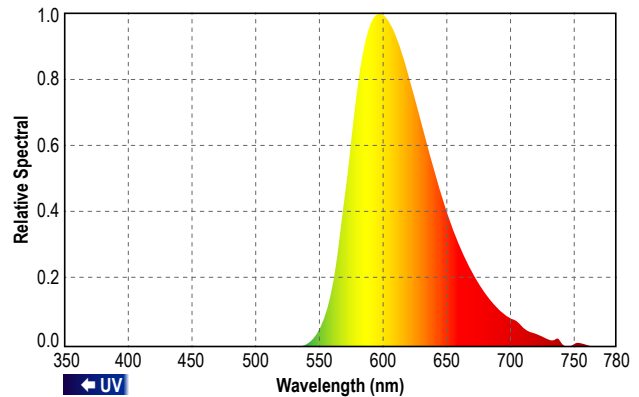
- Narrow band yellow light (590nm / blocks UV wavelengths under 500nm) designed for use in semiconductor manufacturing, laboratories, health care facilities, pharmaceutical labs, and other applications where UV light would be damaging.
- Available in 2ft or 4ft lengths.
- Heavy duty aluminum housing.
- Wall, ceiling or street light mounting options available.



SPECIFICATIONS

Voltage	120 VAC, 277 VAC
Wattage	20W / 40W / 60W / 80W / 120W / 160W
Color Temp	1800 Kelvin (Yellow) / 590nm
Housing	Aluminum alloy
Color	Gray
Lens	Tempered glass
Lifetime	60,000 hrs L70
Beam Angles	X-116° / Y-114°
Ambient Temperature	-40°C (-40°F) to 45°C (113°F)
T-Rating	T3C
Power Factor	cos ≥ 0.9
Protection	IP67 / NEMA 6
Warranty	5 Year Limited Warranty

SPECTRAL DISTRIBUTION



590nm yellow light designed to not damage UV sensitive materials.

LUMENS

	20W	40W	60W
2 ft	1,700 lm	3,150 lm	4,900 lm
4 ft	6,550 lm	9,800 lm	13,000 lm

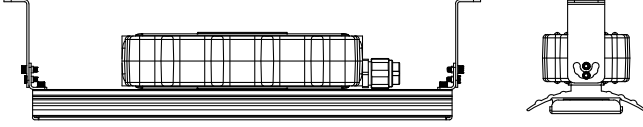
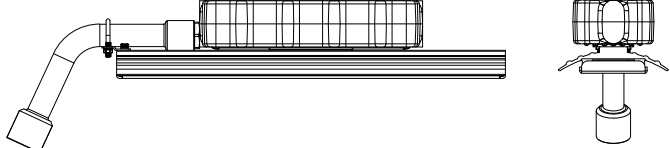
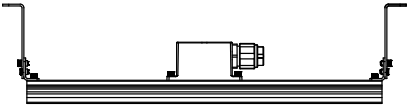
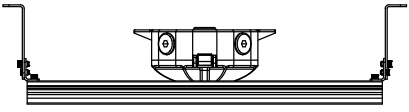
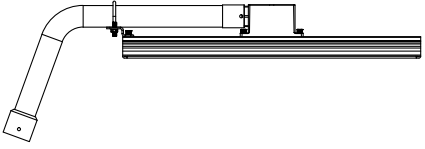
PRODUCT ORDERING SELECTION

<input type="checkbox"/>	<input type="checkbox"/>	Y	<input type="checkbox"/>	<input type="checkbox"/>
Series / Length	Watts	Color Temp	Voltage	Mounting Options
<input type="checkbox"/> KSC2 (2 ft)	<input type="checkbox"/> 020 - 20W <input type="checkbox"/> 040 - 40W <input type="checkbox"/> 060 - 60W	<input checked="" type="checkbox"/> Y - Yellow (1800K)	<input type="checkbox"/> 120 - 120VAC <input type="checkbox"/> 277 - 277VAC	<input type="checkbox"/> 2CWL - Ceiling / Wall Mount Brackets - Long Box <input type="checkbox"/> 2SLL - Street Light Mount - Long Box <input type="checkbox"/> 2CWS - Ceiling / Wall Mount Brackets - Short Box <input type="checkbox"/> 2CWO - Ceiling / Wall Mount - Octagonal Box <input type="checkbox"/> 2SLS - Street Light Mount - Short Box
<input type="checkbox"/> KSC4 (4 ft)	<input type="checkbox"/> 080 - 80W <input type="checkbox"/> 120 - 120W <input type="checkbox"/> 160 - 160W			<input type="checkbox"/> 4CWL - Ceiling / Wall Mount Brackets - Long Box <input type="checkbox"/> 4SLL - Street Light Mount - Long Box
				<div style="display: flex; align-items: center;"> <div style="border-left: 1px solid black; padding-left: 5px; margin-right: 5px;">2 ft Only</div> <div style="border-left: 1px solid black; padding-left: 5px; margin-right: 5px;">4 ft Only</div> </div>

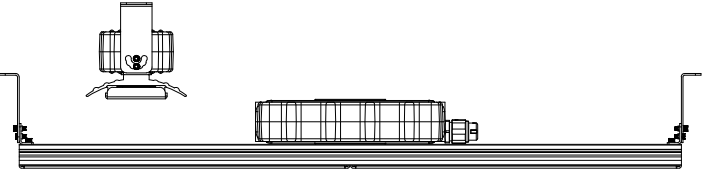
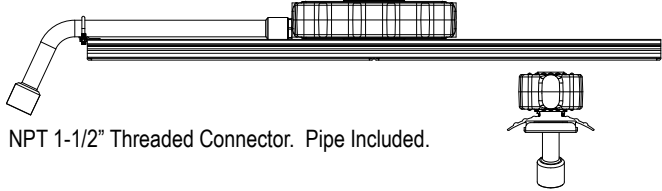
KSC Series

The *KEEPER™ SC*

MOUNTING OPTIONS (2' Models)

#2CWL - Ceiling / Wall Mount Brackets - Long Box		#2SLL - Street Light Mount - Long Box	
		 <p>NPT 1-1/2" Threaded Connector. Pipe Included.</p>	
#2CWS - Ceiling / Wall Mount Brackets - Short Box	#2CWO - Ceiling / Wall Mount - Octagonal Box	#2SLS - Street Light Mount - Short Box	
		 <p>NPT 1-1/2" Threaded Connector. Pipe Included.</p>	

MOUNTING OPTIONS (4' Models)

#4CWL - Ceiling / Wall Mount Brackets - Long Box	#4SLL - Street Light Mount - Long Box
	 <p>NPT 1-1/2" Threaded Connector. Pipe Included.</p>

WEIGHTS AND DIMENSIONS

WEIGHTS

Configuration	2ft	4ft
No Mount (Long Box)	20.5 lb	33.7 lb
Ceiling / Wall Mount (Long Box)	21.6 lb	34.8 lb
Street Light Mount (Long Box)	27.1 lb	43.2 lb
Ceiling / Wall Mount (Short Box)	16.3 lb	N/A
Ceiling / Wall Mount (Octagonal Box)	19.6 lb	N/A
Street Light Mount (Short Box)	21.8 lb	N/A

