

KSC3 Series

The KEEPER™ 3 SC

Hazardous Location LED Lighting



2 Windows



3 Windows

SPECIFICATIONS

Voltage	120 VAC, 277 VAC
Wattage	60W / 80W / 90W / 100W / 110W / 120W
Color Temp	1800 Kelvin (Yellow) / 590nm
Housing	Aluminum alloy
Color	Gray
Lens	Tempered glass
Lifetime	60,000 hrs L70
Beam Angles	X-116° / Y-114°
Ambient Temperature	-20°C (-4°F) to 40°C (104°F)
T-Rating	T5
Power Factor	cos ≥ 0.9
Protection	IP67 / NEMA 6
Entrance Thread	1 x 3/4"
Warranty	5 Year Limited Warranty

LUMENS

60W	80W	90W	100W	110W	120W
3,600 lm	4,800 lm	5,400 lm	6,000 lm	6,600 lm	7,200 lm

PRODUCT ORDERING SELECTION

KSC3	-	Y	-		-	
Series	Watts / Windows	Color Temp	Voltage	Mounting Options		
<input checked="" type="checkbox"/> KSC3	<input type="checkbox"/> 060 - 60W - 2 Windows <input type="checkbox"/> 080 - 80W - 2 Windows <input type="checkbox"/> 090 - 90W - 3 Windows	<input checked="" type="checkbox"/> Y - Yellow (1800K)	<input type="checkbox"/> 120 - 120VAC <input type="checkbox"/> 277 - 277VAC	<input type="checkbox"/> CM - Ceiling Mount <input type="checkbox"/> HG - Hanging Mount <input type="checkbox"/> WM - Wall Mount		
	<input type="checkbox"/> 100 - 100W - 3 Windows <input type="checkbox"/> 110 - 110W - 3 Windows <input type="checkbox"/> 120 - 120W - 3 Windows					



5935 West 84th St. | Indianapolis, IN 46278 | 1-800-840-5635 | www.SolasRay.com

Cat. #	Type
Notes	

CERTIFICATIONS / RATINGS



CLASS / DIVISION

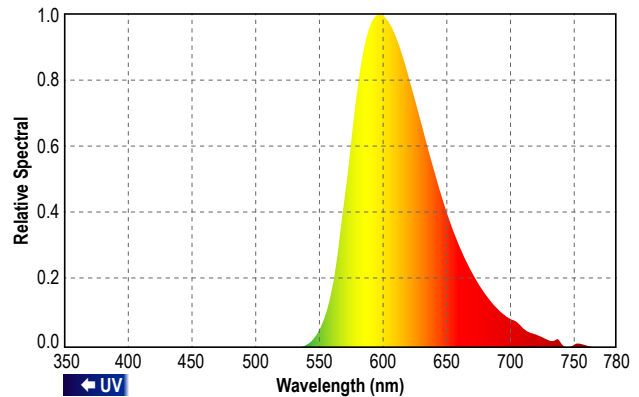
- Class I, Div 1, Groups B, C, D

KEY FEATURES AND BENEFITS

- Narrow band yellow light (590nm / blocks UV wavelengths under 500nm) designed for use in semiconductor manufacturing, laboratories, health care facilities, pharmaceutical labs, and other applications where UV light would be damaging.
- Available in 2 window or 3 window configurations.
- Heavy duty aluminum housing.
- Trade Agreement Act compliant.



SPECTRAL DISTRIBUTION



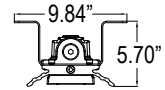
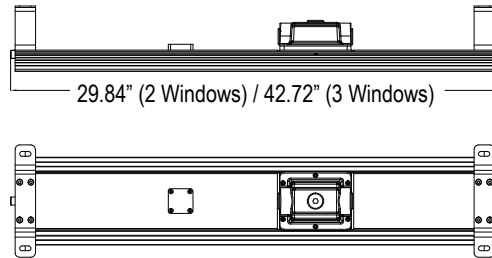
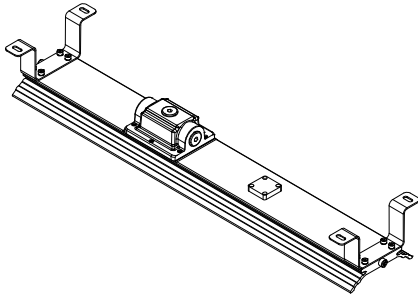
590nm yellow light designed to not damage UV sensitive materials.

KSC3 Series

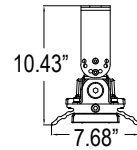
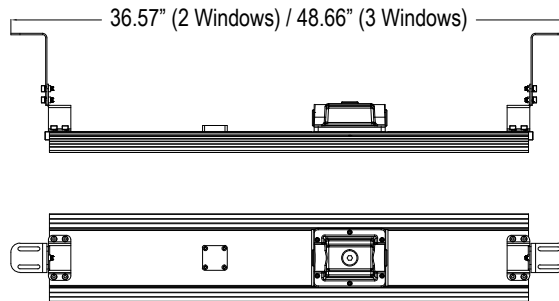
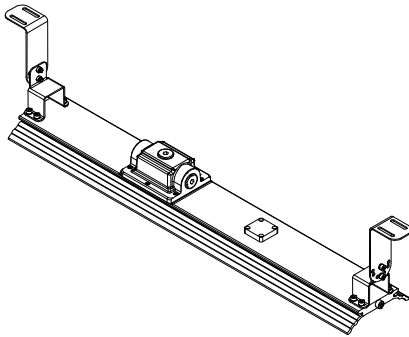
The KEEPER™ 3 SC

MOUNTING OPTIONS (2' Models)

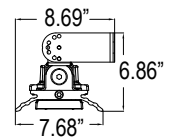
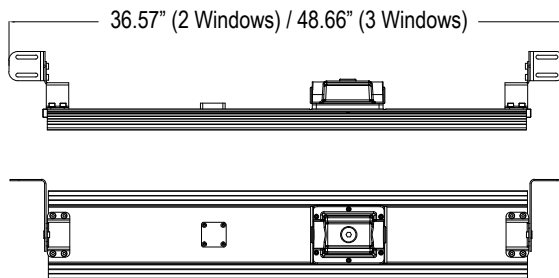
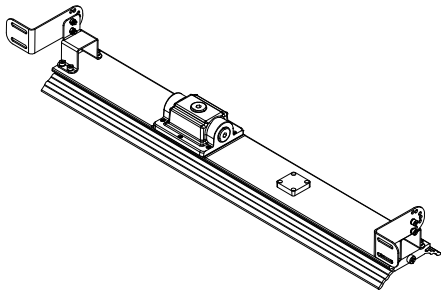
#CM - Ceiling Mount



#HG - Hanging Mount



#WM - Wall Mount

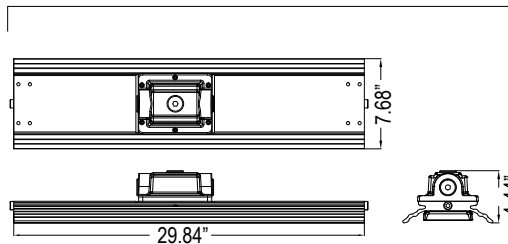


WEIGHTS AND DIMENSIONS

WEIGHTS

Configuration	lbs
2 Windows	21.6 lb
3 Windows	29.6 lb

2 WINDOW MODELS



3 WINDOW MODELS

