

HTL1 Series

The *KEEPER*™

Hazardous Location Lighting



CRUSH RESISTANT HOUSING

MARINE GRADE

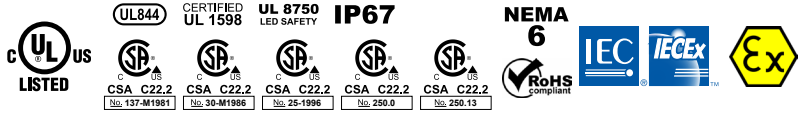
High Vibration RESISTANCE



5935 West 84th St. | Indianapolis, IN 46278 | 1-888-391-4822 | www.SolasRay.com

Cat. #	Type
Notes	

CERTIFICATIONS / RATINGS



KEY FEATURES AND BENEFITS

- SMD - Driver on Board LED technology
- Vibration / anti-resonance design.
- Crush resistant with high impact resistance.
- Marine grade housing / salt water spray resistant.
- Atmospheric pressure tolerance up to 10 meter depth.
- Factory installed stainless steel cable gland included standard. Precision machined and torque tested.
- IP67 rating.



Included cable gland

SPECIFICATIONS

Voltage	120VAC / 277VAC
Wattage	40W / 60W
Color Temp	3000 / 5000 Kelvin
Housing	Coated copper free aluminum alloy
Color	Gray
Lens	Tempered glass
Lifetime	60,000 hrs L70
CRI	≥ 80 (3000K) / ≥70 (5000K)
Beam Angles	X-116° / Y-113°
Power Factor	cos ≥ 0.9
Protection	IP67 / NEMA 6
Warranty	5 Year Limited Warranty (See non-hazardous location applications for warranty exceptions)

LUMENS

Kelvin	40W	60W
3000K	3,600	5,400
5000K	4,000	6,000

CLASS / DIVISION / TEMPERATURE

Models	Class / Division	Ambient Temperature	T-Rating	IP Rating
40W Models	Class I Division 1 Groups B, C, D	-40°C ~ +55°C (-40°F ~ +131°F)	T6	IP67
	Class II Division 2 Groups F, G	+55°C (+131°F)	T6	IP67
	Class III	N/A	N/A	IP67
60W Models	Class I Division 1 Groups B, C, D	-40°C ~ +55°C (-40°F ~ +131°F)	T6	IP67

HIGH AMBIENT TEMPERATURE APPLICATIONS

Non-Hazardous Location Applications - Temperature / Warranty Information

Some models of this light are rated for high ambient temperature operation in **non-hazardous locations**. In hazardous locations, the lights **MUST** be operated within the UL rated temperature range detailed in the Class/Division/Temperature chart above. Warranty limitations apply to high ambient temp. operation.

Models	Max Ambient Temp	Warranty
40W All Voltages	100°C (212°F)	1 Year Limited Warranty
40W All Voltages / 60W 120vAC	85°C (185°F)	2 Year Limited Warranty
All Models	65°C (149°F)	5 Year Limited Warranty

PRODUCT ORDERING SELECTION

HTL1 - [] - [] - [] - FG - [] - []

Series	Watts	Kelvin	Voltage	Lens	Mounting Options	Other Options
<input checked="" type="checkbox"/> HTL1	<input type="checkbox"/> 040 - 40W <input type="checkbox"/> 060 - 60W	<input type="checkbox"/> 30 - 3000K <input type="checkbox"/> 50 - 5000K	<input type="checkbox"/> 120 - 120VAC <input type="checkbox"/> 277 - 277VAC	<input checked="" type="checkbox"/> FG - Flat Glass (Tempered)	<input type="checkbox"/> ABT - Adjustable Bracket (Top-out cable gland) <input type="checkbox"/> ABS - Adjustable Bracket (Side-out cable gland) <input type="checkbox"/> CM - Ceiling Mount (Side-out cable gland only)	<input type="checkbox"/> 304SS - 304 Stainless Steel Bracket & Hardware (Standard) <input type="checkbox"/> 316SS - 316 Stainless Steel Bracket & Hardware <input type="checkbox"/> FLC - Fluorocarbon Coating

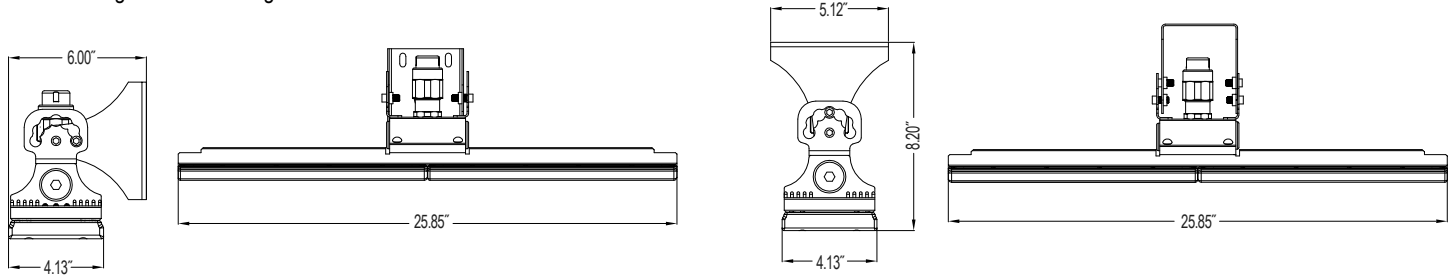
HTL1 Series

The Keeper™

MOUNTING OPTIONS

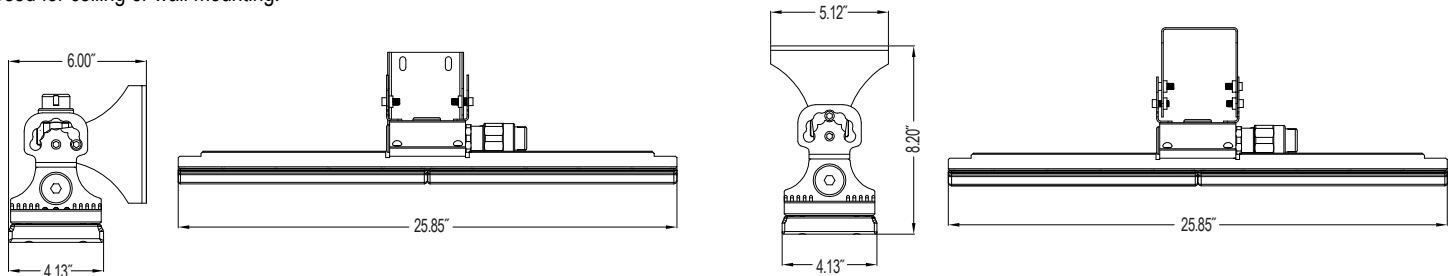
#ABT - Adjustable Bracket with Top-out Cable Gland

Used for ceiling or wall mounting.

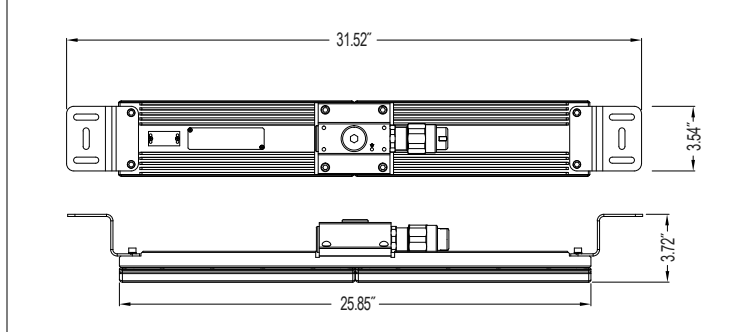


#ABS - Adjustable Bracket with Side-out Cable Gland

Used for ceiling or wall mounting.



#CM - Ceiling Mount (Side-out cable gland only)



WEIGHTS AND DIMENSIONS

Weight	
Without Bracket	16.3 lbs
With Bracket	17.0 lbs

