

HTBE Series

Emergency Light

Hazardous Location Lighting



Optional remote head.
Dual 5w LED model shown.



SPECIFICATIONS

Voltage	120vAC / 277vAC
Wattage	5w / 7w (LED Lamps)
Housing	Fiberglass Reinforced Polyester
Color	Gray
Lens	Polycarbonate
Battery Voltage	6vDC or 12vDC
Battery Capacity	18w / 22w / 27w / 36w / 42w / 54w / 60w
Battery Type	Nickel-Cadmium (NC) or Lead-Acid (SLA)
Protection	IP66 / NEMA 4X
Ambient Temperature	10°C (50°F) to 40°C (104°F)
Warranty	5 Year Limited Warranty

LUMENS (Each Lamp)

5W	7W
345	580

Cat. #	Type
Notes	

CERTIFICATIONS / RATINGS



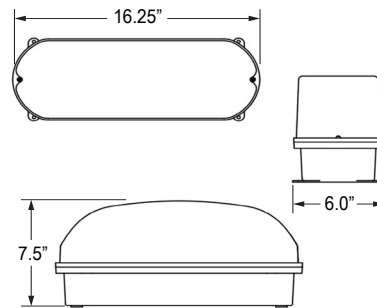
CLASS / DIVISION

- Class I, Div 2, Groups A, B, C, D

KEY FEATURES AND BENEFITS

- Provides a minimum of 90 minutes of emergency light through (2) LED lamps.
- Nickel-Cadmium (NC) or Sealed Lead-Acid (SLA) battery options.
- 6 or 12 volt battery options.
- Push-to-test button for easy battery testing (auto test option available).
- Water and corrosion-resistant housing with fully gasketed cover.
- Vented battery compartment with breather vent designed to permit exhaust of battery gases without admitting external moisture or corrosives.
- Remote heads available (12 volt battery required).
 - Remote heads are Class I, Div 2, Groups A, B, C, D rated.
 - Single 5w LED lamp or dual 5w LED lamps.
 - Universal J-box mounting.
 - -40°C (-40°R) to 40°C (104°F) ambient temperature rated.

WEIGHTS AND DIMENSIONS



Weight
10 lbs to 20 lbs (depending on battery option)

PRODUCT ORDERING SELECTION

HTBE		U				
Series/Length	Watts (LED Lamps)	Voltage (Input)	Battery Voltage	Battery Capacity / Type	Remote Head	Other Options
<input checked="" type="checkbox"/> HTBE	<input type="checkbox"/> 5 - 5 watts <input type="checkbox"/> 7 - 7 watts	<input checked="" type="checkbox"/> U - 120/277vAC	<input type="checkbox"/> 06 - 6vDC (5w LED only) <input type="checkbox"/> 12 - 12vDC (5w or 7w LEDs)	<input type="checkbox"/> 18 - 18 watts / SLA (6v only) <input type="checkbox"/> 22 - 22 watts / NC (6v only) <input type="checkbox"/> 27 - 27 watts / SLA (6v or 12v) <input type="checkbox"/> 36 - 36 watts / SLA (6v or 12v) <input type="checkbox"/> 42 - 42 watts / NC (6v or 12v) <input type="checkbox"/> 54 - 54 watts / NC (6v only) <input type="checkbox"/> 60 - 60 watts / SLA (6v or 12v)	<input type="checkbox"/> N - None <input type="checkbox"/> RHS - Remote head with single 5w LED <input type="checkbox"/> RHD - Remote head with dual 5w LEDs	<input type="checkbox"/> AT - Auto Test <input type="checkbox"/> VM - Voltmeter <input type="checkbox"/> AM - Ammeter <input type="checkbox"/> WG - Wire Guard <input type="checkbox"/> BZ - Audible Alarm

Note: Remote head option for 12vDC systems only.