

HJJES Series

The GUIDE™

Hazardous Location Exit Lighting



High Vibration
RESISTANCE



5935 West 84th St. | Indianapolis, IN 46278 | 1-800-840-5635 | www.SolasRay.com

Cat. #	Type
Notes	

CERTIFICATIONS / RATINGS



CLASS / DIVISION

- Class I, Div 1, Groups B, C, D
- Class I, Div 2, Groups A, B, C, D
- Class II, Div 1, Groups E, F, G
- Class II, Div 2, Groups F, G
- Class III

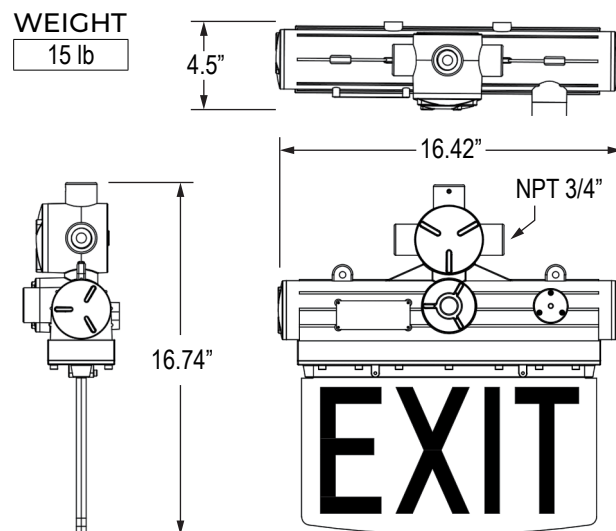
KEY FEATURES AND BENEFITS

- 180 minute battery backup.
- High vibration / anti-resonance design.
- Ambient temperature capabilities -20°C (-4°F) to 60°C (140°F).
- Corrosion proof – coated aluminum alloy (copper free) housing.
- Low wattage requirements of 3w and 5w..
- Paint/spray listed for use in paint or powder booths.
- Suitable for wet locations.
- Double sided exit sign.

SPECIFICATIONS

Voltage	120-277VAC
Wattage	3w / 5w
Housing	Coated marine grade aluminum alloy
Color	Gray with red letters
Lens	Tempered glass
Lifetime	50,000 hrs L70
Ambient Temperature	-20°C (-4°F) to 60°C (140°F)
Power Factor	> 0.98
NPT	3/4"
Warranty	5 Year Limited Warranty

WEIGHTS AND DIMENSIONS



PRODUCT ORDERING SELECTION

HJJES-003-R-U-FG (3 watts)

HJJES-005-R-U-FG (5 watts)