

# HTR11 Series

## The **GUARD™** C Series Hazardous Location Lighting

Cat. #	Type
Notes	

### CERTIFICATIONS / RATINGS



### CLASS / DIVISION

- Class I, Div 2, Groups A, B, C, D
- Class II, Div 2, Groups F, G
- Class III

### KEY FEATURES AND BENEFITS

- Vibration / anti-resonance design.
- Crush resistant with high impact resistance.
- Marine grade housing / salt water spray resistant.
- Atmospheric pressure tolerance up to 10 meter depth.
- Factory installed stainless steel cable gland included standard. Precision machined and torque tested.
- IP67 rating.



Included cable gland



120w



140w



### SPECIFICATIONS

<b>Voltage</b>	120VAC / 277VAC / 480VAC
<b>Wattage</b>	120W / 140W
<b>Color Temp</b>	3000 / 5000 Kelvin
<b>Housing</b>	Coated copper free aluminum alloy
<b>Color</b>	Gray
<b>Lens</b>	Tempered glass
<b>Lifetime</b>	60,000 hrs L70
<b>CRI</b>	≥ 80 (3000K) / ≥70 (5000K)
<b>Beam Angles</b>	X-110° / Y-110°
<b>Power Factor</b>	cos ≥ 0.9, cos ≥ 0.87 (480vAC)
<b>Protection</b>	IP67 / NEMA 6
<b>Warranty</b>	5 Year Limited Warranty (See non-hazardous location applications for warranty exceptions)

#### LUMENS

Kelvin	120W	140W
3000K	10,800	12,600
5000K	12,000	14,000

### CLASS / DIVISION / TEMPERATURE

Models	Class / Division	Ambient Temperature	T-Rating	IP Rating
ALL	Class I Division 2 Groups A, B, C, D	-40°C ~ +40°C (-40°F ~ +104°F)	T3C	IP67
	Class II Division 2 Groups F, G	+40°C (+104°F)	T6	IP67
	Class III	N/A	N/A	IP67

### HIGH AMBIENT TEMPERATURE APPLICATIONS

#### Non-Hazardous Location Applications - Temperature / Warranty Information

Some models of this light are rated for high ambient temperature operation in **non-hazardous locations**. In hazardous locations, the lights **MUST** be operated within the UL rated temperature range detailed in the Class/Division/Temperature chart above. Warranty limitations apply to high ambient temp. operation.

Models	Max Ambient Temperature	Warranty
120w models	85°C (185°F)	2 Year Limited Warranty
All Models	65°C (149°F)	5 Year Limited Warranty

### PRODUCT ORDERING SELECTION

HTR11C2 - [ ] - [ ] - [ ] - [ ] - [ ]

<b>Series</b>	<b>Watts</b>	<b>Kelvin</b>	<b>Voltage</b>	<b>Mounting Options</b>	<b>Other Options</b>
<input checked="" type="checkbox"/> HTR11C2	<input type="checkbox"/> 120 - 120W <input type="checkbox"/> 140 - 140W	<input type="checkbox"/> 30 - 3000K <input type="checkbox"/> 50 - 5000K	<input type="checkbox"/> 120 - 120VAC <input type="checkbox"/> 277 - 277VAC <input type="checkbox"/> 480 - 480VAC	<input type="checkbox"/> AB - Adjustable Bracket (Wall, Ceiling & Hanging) <input type="checkbox"/> PM - Pendant Mount <input type="checkbox"/> SM25 - 25° Pole Stanchion <input type="checkbox"/> SM90 - 90° Pole Stanchion	<input type="checkbox"/> 304SS - 304 Stainless Steel Bracket & Hardware (Standard) <input type="checkbox"/> 316SS - 316 Stainless Steel Bracket & Hardware <input type="checkbox"/> FLC - Fluorocarbon Coating

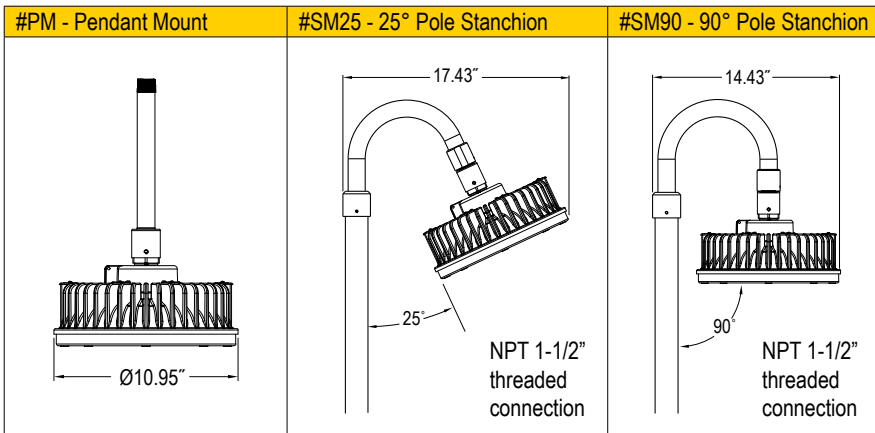
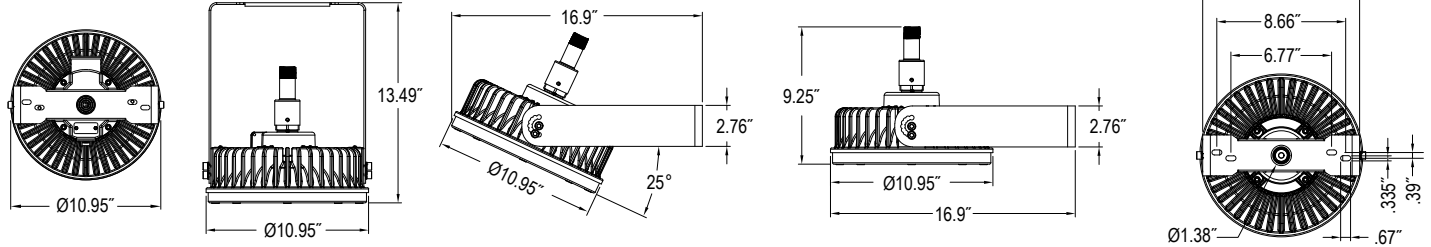
# HTR11 Series

## The GUARD™ C Series

### MOUNTING OPTIONS

#### #AB - Adjustable Bracket

Adjustable bracket may be used for ceiling or wall mounting



### WEIGHTS AND DIMENSIONS

Weight	
Without Bracket	24.2 lbs
With Bracket	26.7 lbs

