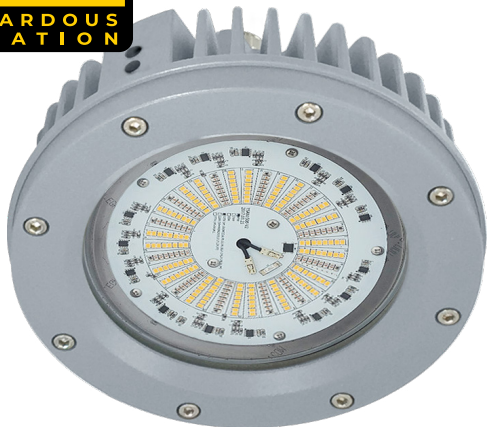


HTR11S Series

The *GUARD™* S Series Hazardous Location Lighting



CRUSH
RESISTANT
HOUSING

MARINE
GRADE

High Vibration
RESISTANCE

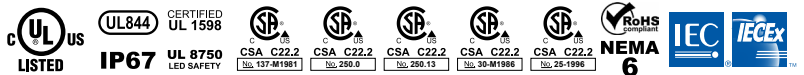


SOLAS RAY™ LIGHTING

5935 West 84th St. | Indianapolis, IN 46278 | 1-800-840-5635 | www.SolasRay.com

Cat. #	Type
Notes	

CERTIFICATIONS / RATINGS



KEY FEATURES AND BENEFITS

- Vibration / anti-resonance design.
- Crush resistant with high impact resistance.
- Marine grade housing / salt water spray resistant.
- Atmospheric pressure tolerance up to 10 meter depth.
- Factory installed stainless steel cable gland included standard. Precision machined and torque tested.
- IP67 rating.



Included cable gland

SPECIFICATIONS

Voltage	120vAC / 277vAC
Wattage	120w / 140w / 150w
Color Temp	3000 / 5000 Kelvin
Housing	Coated copper free aluminum alloy
Color	Gray
Lens	Tempered glass
Lifetime	60,000 hrs L70
CRI	≥ 80 (3000K) / ≥70 (5000K)
Beam Angles	X-110° / Y-110°
Power Factor	cos ≥ 0.9
Protection	IP67 / NEMA 6
Warranty	5 Year Limited Warranty

CLASS/ DIVISION / TEMPERATURE

Models	Class / Division	Ambient Temperature	T-Rating	IP Rating
HTR11S1	Class I Division 1 Groups B, C, D	-40°C ~ +40°C (-40°F ~ 104°F)	T5	IP67
	Class II Division 1 Groups E, F, G	+40°C (+104°F)	T4A	IP67
	Class III	N/A	N/A	IP67
HTR11S2	Class I Division 2 Groups A, B, C, D	-40°C ~ +40°C (-40°F ~ 104°F)	T4A	IP67
	Class II Division 1 Groups E, F, G	+40°C (+104°F)	T4A	IP67
	Class III	N/A	N/A	IP67

LUMENS

Kelvin	120w	140w	150w
3000K	10,800	12,600	13,500
5000K	12,000	14,000	15,000

PRODUCT ORDERING SELECTION

--	--	--	--	--	--

Series	Watts	Kelvin	Voltage	Mounting Options	Other Options
<input type="checkbox"/> HTR11S1 (CID1 / CIID1 / CIII)	<input type="checkbox"/> 120 - 120w <input type="checkbox"/> 140 - 140w <input type="checkbox"/> 150 - 150w	<input type="checkbox"/> 30 - 3000K <input type="checkbox"/> 50 - 5000K	<input type="checkbox"/> 120 - 120vAC <input type="checkbox"/> 277 - 277vAC	<input type="checkbox"/> AB - Adjustable Bracket (Wall, Ceiling & Hanging) <input type="checkbox"/> PM - Pendant Mount (HTR11S2 Series Only)	<input type="checkbox"/> 304SS - 304 Stainless Steel Bracket & Hardware (Standard) <input type="checkbox"/> 316SS - 316 Stainless Steel Bracket & Hardware <input type="checkbox"/> FLC - Fluorocarbon Coating
<input type="checkbox"/> HTR11S2 (CID2 / CIID1 / CIII)					

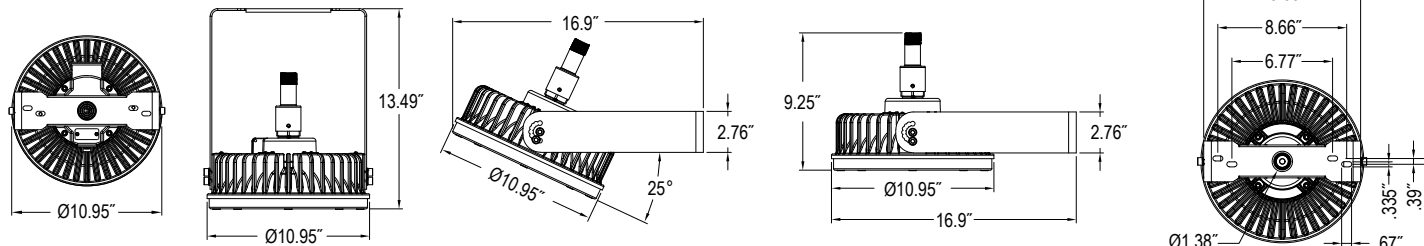
HTR11S Series

The GUARD™ S Series

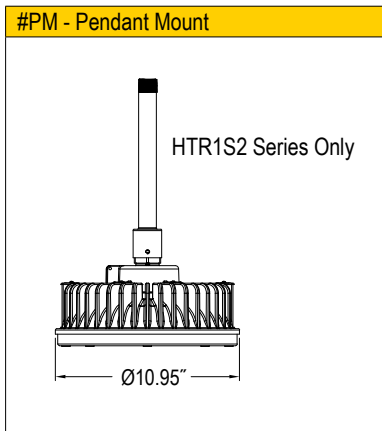
MOUNTING OPTIONS

#AB - Adjustable Bracket

Adjustable bracket may be used for ceiling or wall mounting



#PM - Pendant Mount



WEIGHTS AND DIMENSIONS

Weight	
Without Bracket	23.6 lbs
With Bracket	27.3 lbs

