

GS Series

The GS CANOPY LIGHT

High Efficiency LED Lighting



5935 West 84th St. | Indianapolis, IN 46278 | 1-800-840-5635 | www.SolasRay.com

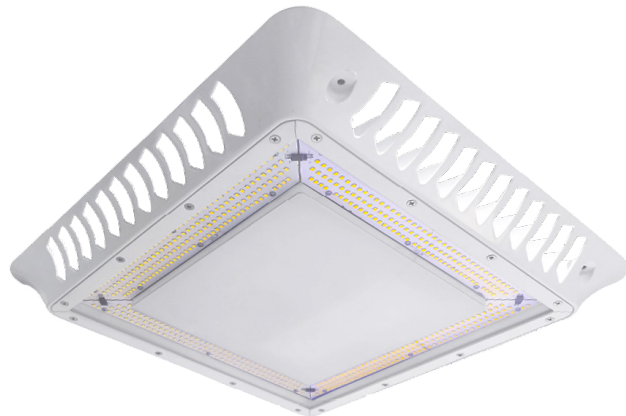
Cat. #	Type
Notes	

CERTIFICATIONS / RATINGS



KEY FEATURES AND BENEFITS

- Great solution as a low profile gas station canopy light.
- Excellent optics greatly improve the light utilization and evenness.
- DLC 5.1 Premium listed.
- High luminous efficiency and long working life.
- Wet location rated.
- 1-10v dimming is standard.
- High performance die-cast aluminum heat sink effectively dissipates heat.
- High quality optical glass lens provides soft and even light.
- Universal 120-277 VAC input power.



SPECIFICATIONS

Voltage	120-277 VAC
Wattage	150W / 200W
Color Temp	5000 (standard) / 4000 Kelvin
Housing	Die-cast aluminum alloy
Color	White
Lens	Tempered glass
Ambient Temperature	-30°C (-22°F) to 45°C (113°F)
Lifetime	>50,000 hrs
CRI	70
Beam Angles	105°
Efficacy	140 lm/W
Power Factor	0.98
Protection	IP65
Warranty	5 Year Limited Warranty

LUMENS

150W	200W
21,250 lm	28,390 lm

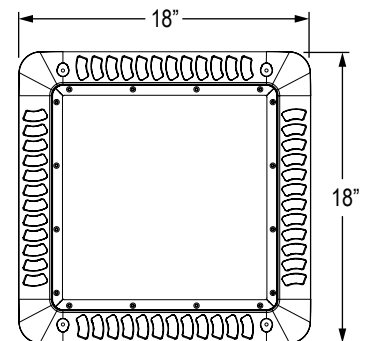
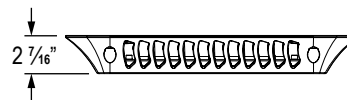
APPLICATIONS

- Gas Stations
- Museums
- Art Galleries
- Shopping malls
- Parking Garages

WEIGHTS AND DIMENSIONS

WEIGHTS

Wattage	Weight
150W	14.78 lb
200W	16.06 lb



PRODUCT ORDERING SELECTION

<input type="checkbox"/>	<input type="checkbox"/>	<input type="checkbox"/>	<input checked="" type="checkbox"/> U	<input type="checkbox"/> WT
Series	Watts	Kelvin	Voltage	Color
<input type="checkbox"/> GS15	<input type="checkbox"/> 150 - 150W	<input type="checkbox"/> 50 - 5000K (standard)	<input checked="" type="checkbox"/> U - 120-277 VAC	<input checked="" type="checkbox"/> WT - White
<input type="checkbox"/> GS20	<input type="checkbox"/> 200 - 200W	<input type="checkbox"/> 40 - 4000K*		

*4000K special order / consult factory for lead time