

HLWLEZU Series

The EVADER

Hazardous Location Exit Sign



5935 West 84th St. | Indianapolis, IN 46278 | 1-800-840-5635 | www.SolasRay.com

Cat. #	Type
Notes	

CERTIFICATIONS / RATINGS



CLASS / DIVISION

- Class I, Div 2, Groups A, B, C, D

KEY FEATURES AND BENEFITS

- Red or green lettering options.
- Single or double faced options.
- EZ snap-out Chevron directional indicators.

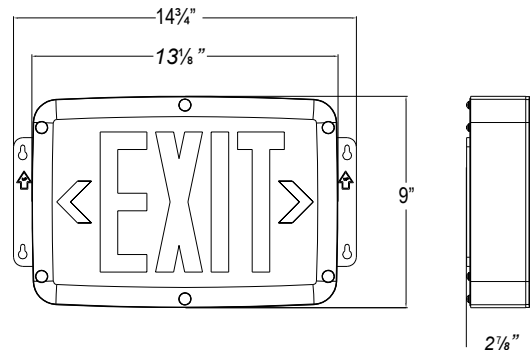
(The following specifications apply to battery equipped "EM" models only)

- Bi-color LED indicator light alerts occupant on battery condition.
- Charge rate/power "ON" LED indicator light and magnetic test switch
- 4.8V long-life, maintenance-free, rechargeable NiCd battery.
- Internal solid-state transfer switch automatically connects the internal battery to LED board for minimum 90-minute emergency illumination.
- Fully automatic solid-state, two-rate charger initiates battery charging to recharge a discharged battery in 24 hours.

SPECIFICATIONS

Voltage	120vAC / 277vAC
Wattage	3w
Input Amps	0.03 - 120vAC / 0.02 - 277vAC
Housing	Reinforced polycarbonate
Color	Gray
Letter Colors	Red or green
Lens	UV stabilized polycarbonate
Lifetime	60,000 hrs L70
CRI	>70 cool white
Ambient Temperature	-20°C to 50°C(122°F)
Hardware	Tamper proof access (optional)
Warranty	5 Year Limited Warranty

DIMENSIONS



PRODUCT ORDERING SELECTION

HLWLEZU	-		-	G	-		-	
Series		Faces		Letter Color		Housing Color		Battery
<input checked="" type="checkbox"/> HLWLEZU		<input type="checkbox"/> 01 - Single		<input type="checkbox"/> R - Red		<input checked="" type="checkbox"/> G - Gray		<input type="checkbox"/> (blank) - AC Only
		<input type="checkbox"/> 02 - Double		<input type="checkbox"/> G - Green				<input type="checkbox"/> EM - NiCd Battery
								Options
								<input type="checkbox"/> SDT - Self-Diagnostic (Available with EM units only)
								<input type="checkbox"/> TP - Tamper-Proof Hardware