

HTR16 Series

The BOSS™ C Series Hazardous Location Lighting



CRUSH RESISTANT HOUSING

MARINE GRADE

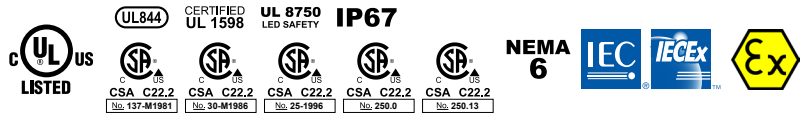
High Vibration RESISTANCE



5935 West 84th St. | Indianapolis, IN 46278 | 1-800-840-5635 | www.SolasRay.com

Cat. #	Type
Notes	

CERTIFICATIONS / RATINGS



KEY FEATURES AND BENEFITS

- Vibration / anti-resonance design.
- Crush resistant with high impact resistance.
- Marine grade housing / salt water spray resistant.
- Atmospheric pressure tolerance up to 10 meter depth.
- Factory installed stainless steel cable gland included standard. Precision machined and torque tested.
- IP67 rating.



Included cable gland

SPECIFICATIONS

Voltage	120vAC / 277vAC / 480vAC
Wattage	140w / 160w / 180w / 200w / 220w / 240w
Color Temp	3000 / 5000 Kelvin
Housing	Coated copper free aluminum alloy
Color	Gray
Lens	Tempered glass
Lifetime	60,000 hrs L70
CRI	≥ 80 (3000K) / ≥70 (5000K)
Beam Angles	X-110° / Y-110°
Power Factor	cos ≥ 0.9, cos ≥ 0.87 (480vAC)
Protection	IP67 / NEMA 6
Warranty	5 Year Limited Warranty (See non-hazardous location applications for warranty exceptions)

CLASS / DIVISION / TEMPERATURE

Models	Class / Division	Ambient Temperature	T-Rating	IP Rating
HTR16C1	Class I Division 1 Groups B, C, D	-25°C ~ +40°C (-13°F ~ 104°F)	T5	IP67
		-25°C ~ +55°C (-13°F ~ 131°F)	T4A	
	Class II Division 1 Groups E, F, G	+40°C (+104°F)	T4A	IP67
		+55°C (131°F)	T4	
	Class III	N/A	N/A	IP67
HTR16C2	Class I Division 2 Groups A, B, C, D	-25°C ~ +40°C (-13°F ~ 104°F)	T3	IP67
		-25°C ~ +55°C (-13°F ~ 131°F)	T3	
	Class II Division 1 Groups E, F, G	-25°C ~ +40°C (-13°F ~ 104°F)	T4A	IP67
		-25°C ~ +55°C (-13°F ~ 131°F)	T4	
	Class III	N/A	N/A	IP67

HIGH AMBIENT TEMPERATURE APPLICATIONS

Non-Hazardous Location Applications - Temperature / Warranty Information		
Some models of this light are rated for high ambient temperature operation in non-hazardous locations . In hazardous locations, the lights MUST be operated within the UL rated temperature range detailed in the Class/Division/Temperature chart above. Warranty limitations apply to high ambient temp. operation.		
Models	Max Ambient Temp.	Warranty
140w 120/277vAC	100°C (212°F)	1 Year Limited Warranty
140w & 160w All Voltages	85°C (185°F)	2 Year Limited Warranty
All Models	65°C (149°F)	5 Year Limited Warranty

LUMENS

Kelvin	140w	160w	180w	200w	220w	240w
3000K	11,911	13,750	15,504	17,050	18,732	20,435
5000K	12,339	14,003	15,811	17,505	19,300	21,006

PRODUCT ORDERING SELECTION

<input type="text"/>	<input type="text"/>	<input type="text"/>	<input type="text"/>	<input type="text"/>	<input type="text"/>	<input type="text"/>
Series	Watts	Kelvin	Voltage	FG	Mounting Options	Other Options
<input type="checkbox"/> HTR16C1 (CID1 / CIID1 / CIII)	<input type="checkbox"/> 140 - 140w <input type="checkbox"/> 160 - 160w <input type="checkbox"/> 180 - 180w <input type="checkbox"/> 200 - 200w <input type="checkbox"/> 220 - 220w <input type="checkbox"/> 240 - 240w	<input type="checkbox"/> 30 - 3000K <input type="checkbox"/> 50 - 5000K	<input type="checkbox"/> 120 - 120vAC <input type="checkbox"/> 277 - 277vAC <input type="checkbox"/> 480 - 480vAC	<input checked="" type="checkbox"/> FG - Flat Glass (Tempered)	<input type="checkbox"/> AB - Adjustable Bracket (Included Standard) <input type="checkbox"/> MAA - Mast Arm Attachment <input type="checkbox"/> PM - Pendant Mount (HTR16C2 Only)	<input type="checkbox"/> FLC - Fluorocarbon Coating

HAZ BOSS-C 1.24 SI-06772

Specifications and data are subject to change without notice.

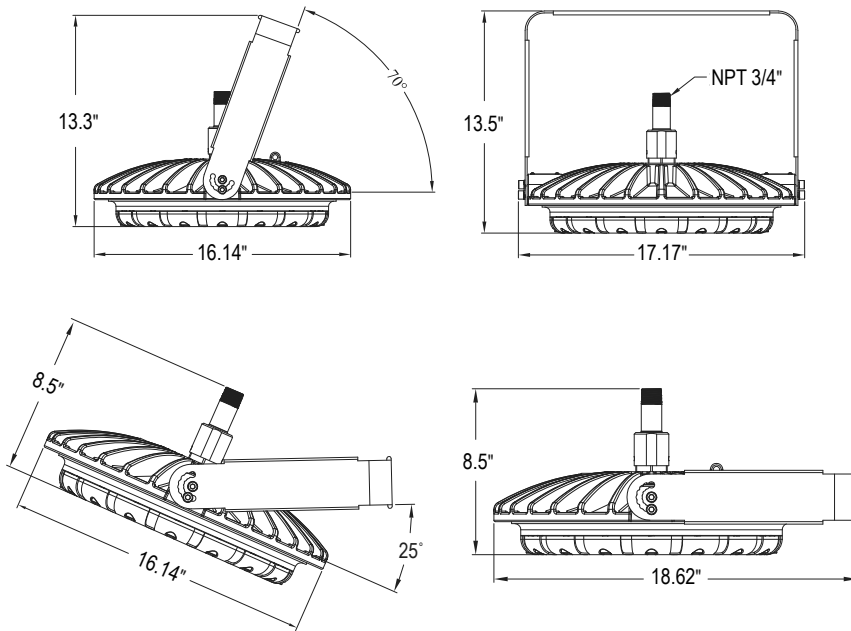
HTR16 Series

The **BOSS™** C Series

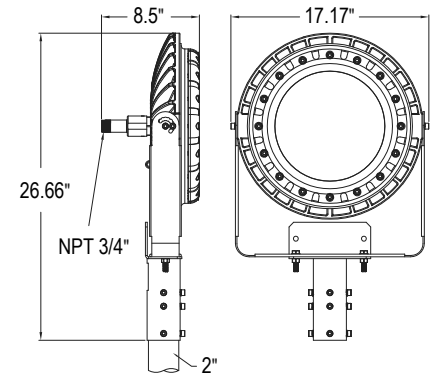
MOUNTING OPTIONS

#AB - Adjustable Bracket (Included Standard)

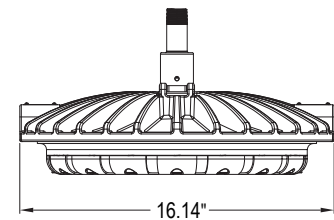
Adjustable bracket may be used for ceiling or wall mounting



#MAA - Mast Arm Attachment



#PM - Pendant Mount



WEIGHTS AND DIMENSIONS

Weight	
Without Bracket	40.3 lbs
With Bracket	41.9 lbs

