

# The MARINER 2 Series Linear Lighting

## LQH2

120 - 277vAC



Cat. #	Type
Notes	

### DESIGNATIONS



### KEY FEATURES AND BENEFITS

- Heavy-Duty Die Cast Aluminum Housing.
- Tapped Conduit Entry All Four Sides.
- Gray Powdercoat Finish Over a Chromate Conversion Coating.
- Clear or Opal Polycarbonate Vandal-Resistant Lens.
- Natatorium approved.
- Easy installation and maintenance.
- Also available as Class 1 Div 2 Hazardous Location.
- Sensors and Emergency Battery Back options available.

### SPECIFICATIONS

<b>Name</b>	The Mariner 2
<b>Category</b>	Harsh Environment Linear Lighting
<b>Model</b>	#LQH2
<b>Color</b>	Gray
<b>Housing</b>	Die-Cast Aluminum
<b>Voltage</b>	120-277vAC / 347-480vAC
<b>Ambient Temperature</b>	Ambient -40°C to 50°C (122°F)
<b>Lens</b>	Clear Polycarbonate Vandal Resistant (standard) Opal Polycarbonate Vandal Resistant
<b>IP Rating</b>	IP66
<b>Wattage</b>	58w / 77w

<b>Efficacy</b>	102 to 126 Lm/W
<b>Lifetime</b>	100,000 hr. at L <sub>70</sub>
<b>CRI</b>	Ra≥80
<b>Power Factor</b>	>0.992
<b>Color Temp</b>	4000, 5000 Kelvin
<b>Dimensions</b>	24.2"W x 7.1"H x 4.25"D
<b>Warranty</b>	5-Year Limited

Item	Wattage	Voltage	Clear Lens	Opal Lens
LQH2-047	58 Watts	120-277 / 347-480	7,309 Lm	5,932 Lm
LQH2-066	77 Watts	120-277 / 347-480	10,264 Lm	8,356 Lm

### PRODUCT ORDERING SELECTION

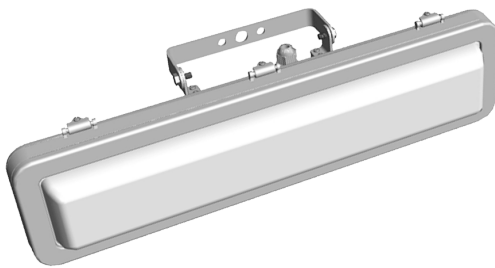
LQ	H2					GR		
<b>Series</b>	<b>Type-Watts</b>	<b>Wattage</b>	<b>Kelvin</b>	<b>Lens</b>	<b>Voltage</b>	<b>Color</b>	<b>Mounting Options</b>	<b>Other Options</b>
LQ	<input type="checkbox"/> H2 - Harsh 2 ft.	<input type="checkbox"/> 058 - 58 Watts <input type="checkbox"/> 077 - 77 Watts	<input type="checkbox"/> 50 - 5000K (Std) <input type="checkbox"/> 40 - 4000K	<input type="checkbox"/> PC - Clear Polycarbonate <input type="checkbox"/> LPC - Opal Polycarbonat	<input type="checkbox"/> U - 120-277 <input type="checkbox"/> 48 - 347-480	<input type="checkbox"/> GR - Gray	<input type="checkbox"/> QM - Quick Mount <input type="checkbox"/> YK - Yoke <input type="checkbox"/> PV - Pivot Mount <input type="checkbox"/> DF - Double Fuse	<input type="checkbox"/> SP - Surge Protection <input type="checkbox"/> BB - Battry Backup <input type="checkbox"/> SF - Single Fuse

# The MARINER 2 Series Linear

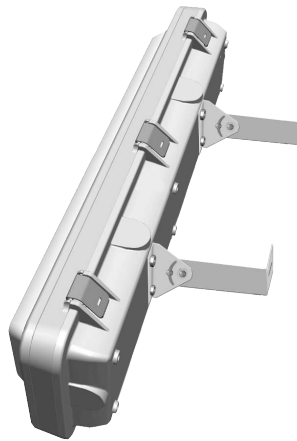
## LQH2

120 - 277vAC

### MOUNTING



Stainless Steel Yoke  
# YK

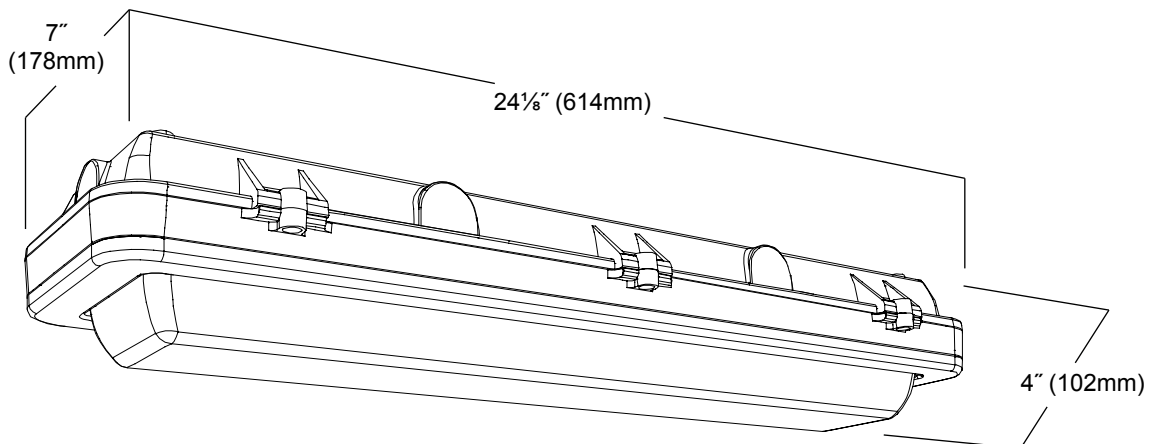


Stainless Steel  
Pivot Mount  
# PV



Stainless Steel  
Quick Mount # QM

### DIMENSIONS



### PRODUCT DESIGNATIONS



Specifications and data are subject to change without notice.

