

# The MARINER 1 Series Linear Lighting

## LQH1

120 - 277vAC



Open Frame



Horizontal Hood



Vertical Hood

Cat. #	Type
Notes	

### DESIGNATIONS



### KEY FEATURES AND BENEFITS

- Heavy-Duty Die Cast Aluminum Housing.
- Tapped Conduit Entry All Four Sides.
- Gray Powdercoat Finish Over a Chromate Conversion Coating.
- Clear or Opal Polycarbonate Vandal-Resistant Lens.
- Natatorium approved.
- Easy installation and maintenance.
- Also available as Class 1 Div 2 Hazardous Location.
- Sensors and Emergency Battery Back options available.

### SPECIFICATIONS

<b>Name</b>	The Mariner 1
<b>Category</b>	Harsh Environment Linear Lighting
<b>Model</b>	#LQH1
<b>Color</b>	Gray
<b>Housing</b>	Die-Cast Aluminum
<b>Voltage</b>	120-277vAC
<b>Ambient Temperature</b>	Ambient -10°C to 45°C (113°F)
<b>Lens</b>	Clear Polycarbonate Vandal Resistant (standard) Opal Polycarbonate Vandal Resistant
<b>IP Rating</b>	IP66
<b>Wattage</b>	26w / 43w
<b>Efficacy</b>	88 to 129 Lm/W
<b>Lifetime</b>	100,000 hr. at L70
<b>CRI</b>	Ra≥80

<b>Power Factor</b>	>0.992
<b>Color Temp</b>	4000, 5000 Kelvin
<b>Dimensions</b>	12.2"W x 7.1"H x 4.25"D
<b>Warranty</b>	5-Year Limited

Item	Wattage	Voltage	Clear Lens	Opal Lens
LQH1-022	Open Frame	26 watts	3,332 Lm	2,945 Lm
LQH1-037	Open Frame	43 watts	5,538 Lm	4,948 Lm
LQH1C-022	Horizontal Hood	26 watts	3,126 Lm	2,369 Lm
LQH1C-037	Horizontal Hood	43 watts	4,879 Lm	4,071 Lm
LQV1C-022	Vertical Hood	26 watts	3,305 Lm	2,705 Lm
LQV1C-037	Vertical Hood	43 watts	5,292 Lm	4,399 Lm

### PRODUCT ORDERING SELECTION

LQ						GR	
<b>Series</b>	<b>Type-Watts</b>	<b>Wattage</b>	<b>Kelvin</b>	<b>Lens</b>	<b>Voltage</b>	<b>Color</b>	<b>Mounting Options</b>
LQ	<input type="checkbox"/> H1 - Open <input type="checkbox"/> H1C - Horizontal <input type="checkbox"/> V1C - Vertical	<input type="checkbox"/> 026 - 26 Watts <input type="checkbox"/> 043 - 43 Watts	<input type="checkbox"/> 4K - 4000K <input type="checkbox"/> 5K - 5000K	<input type="checkbox"/> PC - Clear Polycarbonate <input type="checkbox"/> LPC - Opal Polycarbonate <input type="checkbox"/> LPC - Opal	<input type="checkbox"/> U-120-277	<input type="checkbox"/> GR - Grey	<input type="checkbox"/> QM - Quick Mount <input type="checkbox"/> YK - Yoke <input type="checkbox"/> KN - Knuckle <input type="checkbox"/> PV - Pivot Mount

# The MARINER 1 Series Linear

## LQH1

120 - 277vAC

### MOUNTING



Stainless Steel  
Quick Mount # QM



Stainless Steel  
Yoke # YK

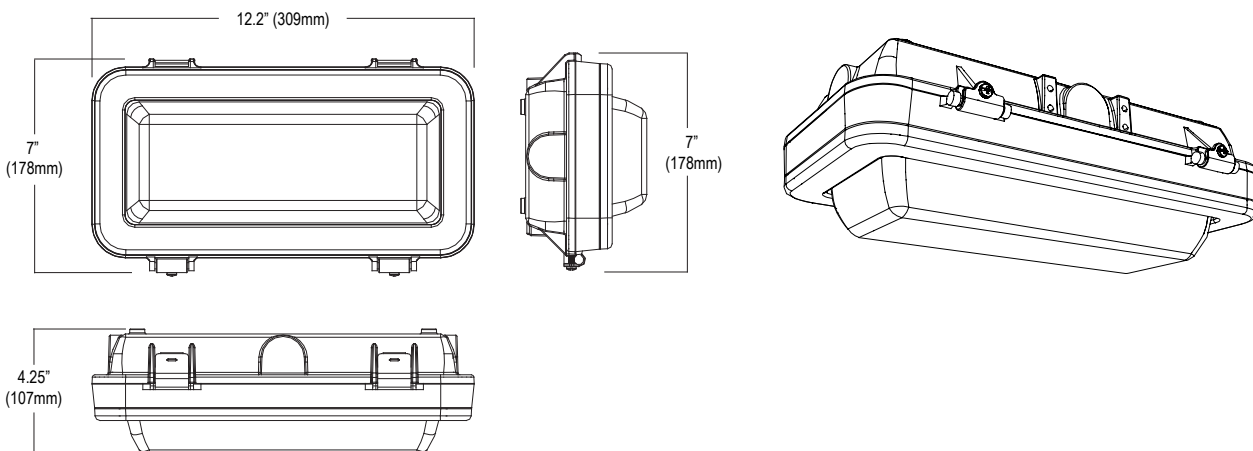


Stainless Steel  
Knuckle Mount  
# KN

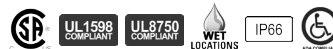


Stainless Steel  
Pivot Mount  
# PV

### DIMENSIONS



### PRODUCT DESIGNATIONS



Specifications and data are subject to change without notice.

