



EASY CURVE DESIGNER BOLLARD

BQ9

120 - 277vAC



Cat. #	Type
Notes	

DESIGNATIONS



IP67



KEY FEATURES AND BENEFITS

These uniquely stylized LED Bollards are designed using LED technology and produced to provide uniform lighting while accenting any landscape. This bollard provides low glare and highly cost-effective pathway lighting.

Solas Ray Designer Bollards become the featured addition to illuminate and accent landscaping, walkways, buildings, hospitals, office buildings, schools and parking areas. Anywhere security, visibility and safety is needed, ask for quality, demand performance and expect reliability from Solas Ray bollards.

SPECIFICATIONS

Housing:

Durable One-Piece Sand Cast Aluminum Housing Features 1/2" Thick Walls. Includes Flush Mounting Base & Vandal-Resistant Screws, Internal Driver Tray for Easy Maintenance.

Listing & Ratings:

CSA: Listed for Wet Locations, ANSI/UL 1598, 8750IP65

Finish:

Textured Architectural Bronze or Black Powdercoat Finish Over a Chromate Conversion Coating. Custom Colors Available Upon Request.

Lens:

Clear UV-Stabilized Polycarbonate Vandal-Resistant

Mounting Options:

Mounting Kit with 8" Zinc-Plated Anchor Bolts, Included.EasyLED

LED:

Aluminum Boards Wattage:12w: Array 12w, System 13.6w

18w: Array 18.2w, System 20.4w

Driver:

Electronic Driver, 120-277V, 50/60Hz; Less Than 20% THD and PF>0.90.

Standard Internal Surge Protection 2kV. 0-10V Dimming Standard for a

Dimming Range of 100% to 10%; Dimming Source Current is 150

Microamps.

Height: 36"

Weight: 18 lbs.

Operating Temperature

-40°C to +40°C

5-Year Warranty

Item	Wattage	Voltage	Kelvin	Lumens
BQ9-016-30-X-U	16w	120-277v	3000K	1,427 lm
BQ9-016-40-X-U	16w	120-277v	4000K	1,528 lm
BQ9-016-50-X-U	16w	120-277v	5000K	1,612 lm
BQ9-018-30-X-U	18w	120-277v	3000K	2,140 lm
BQ9-018-40-X-U	18w	120-277v	4000K	2,322 lm
BQ9-018-50-X-U	18w	120-277v	5000K	2,418 lm

Note: Includes Mounting kit with 8" anchor bolts)

PRODUCT ORDERING SELECTION

BQ9				U		
Series	Wattage	Kelvin	Lens	Voltage	Body Color	Options / Accessories
BQ9	<input type="checkbox"/> 016 - 16 Watts <input type="checkbox"/> 018 - 18 Watts	<input type="checkbox"/> 30 - 3000K <input type="checkbox"/> 40 - 4000K <input type="checkbox"/> 50 - 5000K	<input type="checkbox"/> C - Clear UV stabilized polycarbonate	<input type="checkbox"/> U - 120-277vAC	<input type="checkbox"/> Z - Bronze <input type="checkbox"/> B - Black <input type="checkbox"/> C - Custom	<input type="checkbox"/> SP - Surge Protection <input type="checkbox"/> GFCI - GFCI Outlet 15A, 120V <input type="checkbox"/> BRK - Universal Retrofit Base Kit <input type="checkbox"/> SF - Single Fuse <input type="checkbox"/> DF - Double Fuse



LED

EASY CURVE DESIGNER BOLLARD

BQ9

120 - 277vAC

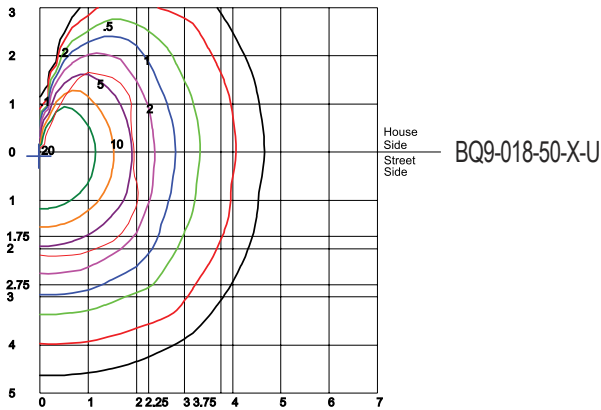
MOUNTING



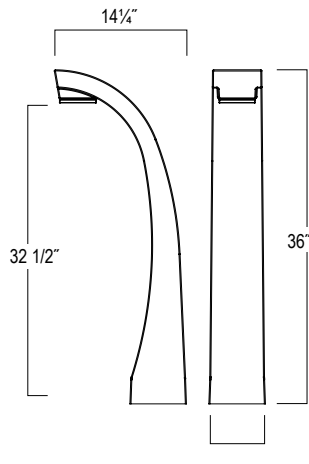
Universal Retrofit Base Kit
Fits all 7" and 4" bollards
#BRK

PHOTOMETRIC OUTPUT

Easy Curve LED Bollard



DIMENSIONS



Custom Heights Available Upon Request.

PRODUCT DESIGNATIONS

