

The BARRIER VT Hazardous Location Light

HBVT

120 - 277vAC

Cat. #	Type
Notes	

High Vibration
RESISTANCE



Wall Mount

Ceiling Mount

Pendant Mount

DESIGNATIONS



KEY FEATURES AND BENEFITS

- Class 1 Division 2 - Groups A, B, C, D (Flammable Gases & Vapors).
- Ambient temperature capabilities: 20°C to 40°C (104°F).
- Corrosion resistant, polyester thermoplastic housing.
- Impact resistant tempered glass globe with plastic guard.
- Neoprene gaskets seal each mounting option.
- Wet location rated.

Also Available as Non-HazLoc

SPECIFICATIONS

NAME	The Barrier VT
Category	Hazardous Area Vapor Tight Lighting
Model #	HBVT
Voltage	120 - 277vAC
Ambient Temperatures	-20°C to 40°C (104°F)
T - Rating	T3
Housing	Polyester Thermoplastic
Color	Gray
Lens	Tempered Glass Globe
Wattage	16w
Efficacy	72 lm/w
Lifetime	50,000 hr. rated life
CRI	>80
Power Factor	>0.95
Color Temp	5000 Kelvin

Weight	3.2 lbs.
Dimensions	Ceiling 4.12" W x 11.02" H
	Wall 7.13" W x 12.41" H
	Pendant 4.12" W x 11.3" H
NPT	3/4"
Warranty	5-Year Limited

16w 1,150

PRODUCT ORDERING SELECTION

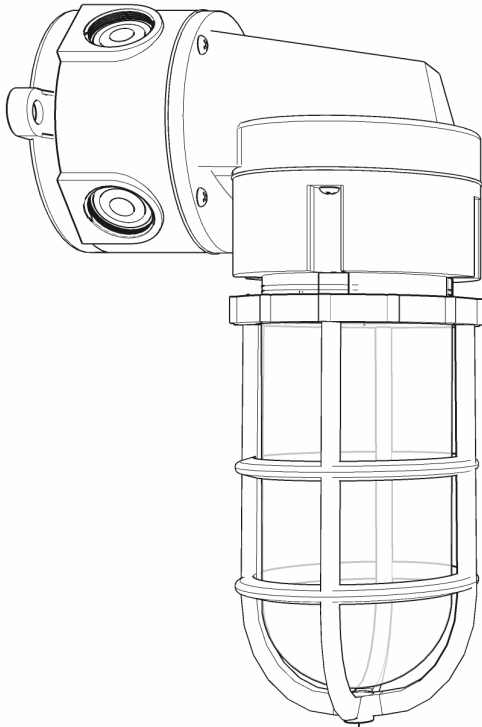
HBVT	016	50	U	
Series HBVT	Type-Watts <input type="checkbox"/> 016 - 16 Watts	Kelvin <input type="checkbox"/> 50 - 5000K	Voltage <input type="checkbox"/> U -120 -277v	Mounting Options <input type="checkbox"/> CM - Ceiling Mount <input type="checkbox"/> PM - Pendant Mount <input type="checkbox"/> WM - Wall Mount

The BARRIER VT HazLoc

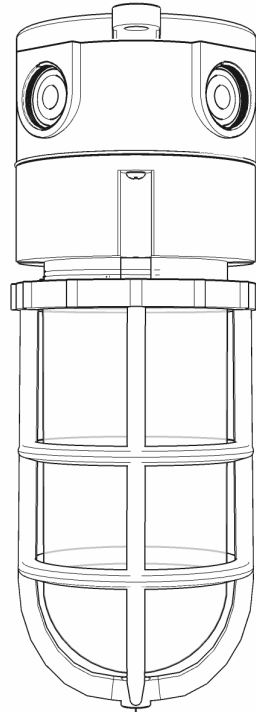
HBVT

120 - 277vAC

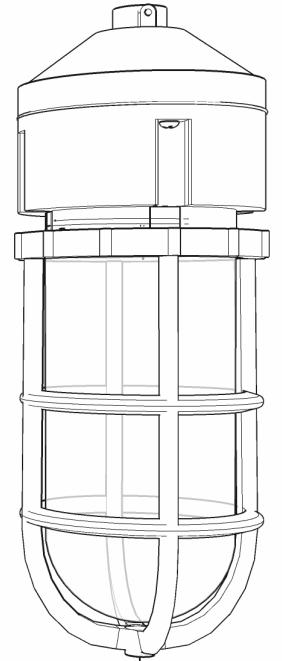
MOUNTING



Wall Mount
WM

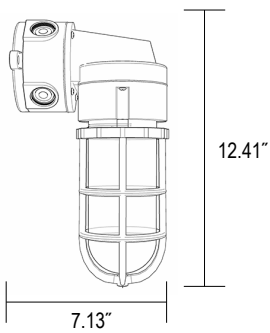


Ceiling Mount
CM

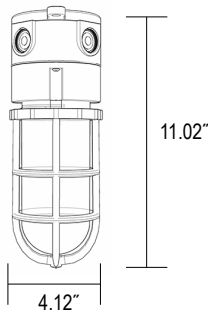


Pendant Mount
PM

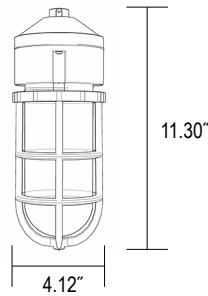
DIMENSIONS



Wall Mount



Ceiling Mount



Pendant Mount

PRODUCT DESIGNATIONS



Learn More About Class / Division with a Button Click.

