

# The MONITOR HDIP Hazardous Location Camera Lighting

## HTR92HDIP

24v / 120vAC / 277vAC / 480vAC



40W



60W

Cat. #	Type
Notes	

### DESIGNATIONS

#### UL STANDARDS

UL 844 - Hazardous Locations | UL1598 - Luminaires



#### NEC and CEC

Class I Div 2 - Groups A, B, C, D

### KEY FEATURES AND BENEFITS

- Vibration / Anti-Resonance Design.
- Crush Resistant with High Impact Resistance.
- Marine Grade Housing / Salt Water Spray Resistant.
- Atmospheric Pressure Tolerance up to 1 Meter Depth.
- Factory Installed Cable Gland is Standard.
- Rated IP67 / NEMA 6.
- HD Power over ethernet Camera with IP capabilities.

### SPECIFICATIONS

<b>NAME</b>	The Monitor with IP Camera
<b>Category</b>	Hazardous Location Camera Light
<b>Model #</b>	<b>HTR92HDIP (CI/D2)</b>
<b>Luminaire Voltage</b>	120 / 277 / 480vAC
<b>Camera Voltage</b>	100 - 240vAC
<b>Housing</b>	Coated Copper Free Aluminum Alloy
<b>Color</b>	Gray
<b>Lens</b>	Flat Tempered Glass
<b>Wattage</b>	40w / 60w
<b>Lamp Lifetime</b>	60,000 hr. at L70
<b>CRI</b>	>70 cool white
<b>Power Factor</b>	>0.95
<b>Color Temp (Kelvin)</b>	3000 & 5000 Kelvin
<b>Weight</b>	19.75 lbs.
<b>Dimensions</b>	9.21" dia x 7.61" h
<b>Warranty</b>	5-Year Limited

#### Kelvin Based Lumen Output

	40 Watts	60 Watts
<b>3000K</b>	3,370 lm	5,600 lm
<b>5000K</b>	4,100 lm	6,100 lm

### Product Specifications

24v / 120 / 277 / 480vAC

Certification	Ambient Temperature	T-Rating	IP Rating
Class I Division 2 Groups A, B, C, D	-40°C~+40°C (-40°F~+104°F)	T4	IP67/NEMA 6

### CAMERA SPECIFICATIONS

<b>Resolution</b>	<ul style="list-style-type: none"> <li>• 2 Mega Pixels, Full HD 1080P</li> <li>• 1080p HD: 1920x1080</li> <li>• 720p HD: 1280x720</li> </ul> Digital Zoom
<b>Video Compression</b>	H.264 High / Main Profile Motion JPG
<b>PoE</b>	IEEE 802.3af
<b>Computer Requirements</b>	CPU - Intel i3 or above OS Windows 7, Windows 8, Windows 10 RAM 4 GB or above, Dedicated Graphics Card
<b>Surveillance Capability</b>	ONVIF Compatible

### PRODUCT ORDERING SELECTION

HTR92HDIP - [ ] - [ ] - [ ] - [ ] - [ ]

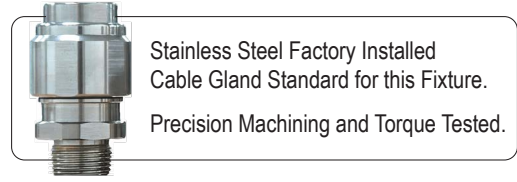
<b>Series</b> HTR92HDIP	<b>Type-Watts</b> <input type="checkbox"/> 040 - 40 Watts <input type="checkbox"/> 060 - 60 Watts	<b>Kelvin</b> <input type="checkbox"/> 30 - 3000K <input type="checkbox"/> 50 - 5000K	<b>Voltage</b> <input type="checkbox"/> 120 - 120vAC <input type="checkbox"/> 277 - 277vAC <input type="checkbox"/> 480 - 480vAC	<b>Mounting Options</b> <input type="checkbox"/> AB - Adjustable Bracket (Wall, Ceiling & Hanging) <input type="checkbox"/> PM - Pendant Pipe <input type="checkbox"/> WM - Wall Mount <input type="checkbox"/> SM25 - 25° Pole Stanchion	<b>Other Options</b> <input type="checkbox"/> CM - Ceiling Mount <input type="checkbox"/> TM - Tank Mount <input type="checkbox"/> SM90 - 90° Pole Stanchion <input type="checkbox"/> FLC - Fluorocarbon Coating <input type="checkbox"/> Bracket & Hardware Standard <input type="checkbox"/> 316SS - 316 Stainless Steel
----------------------------	---	---	---	---	--



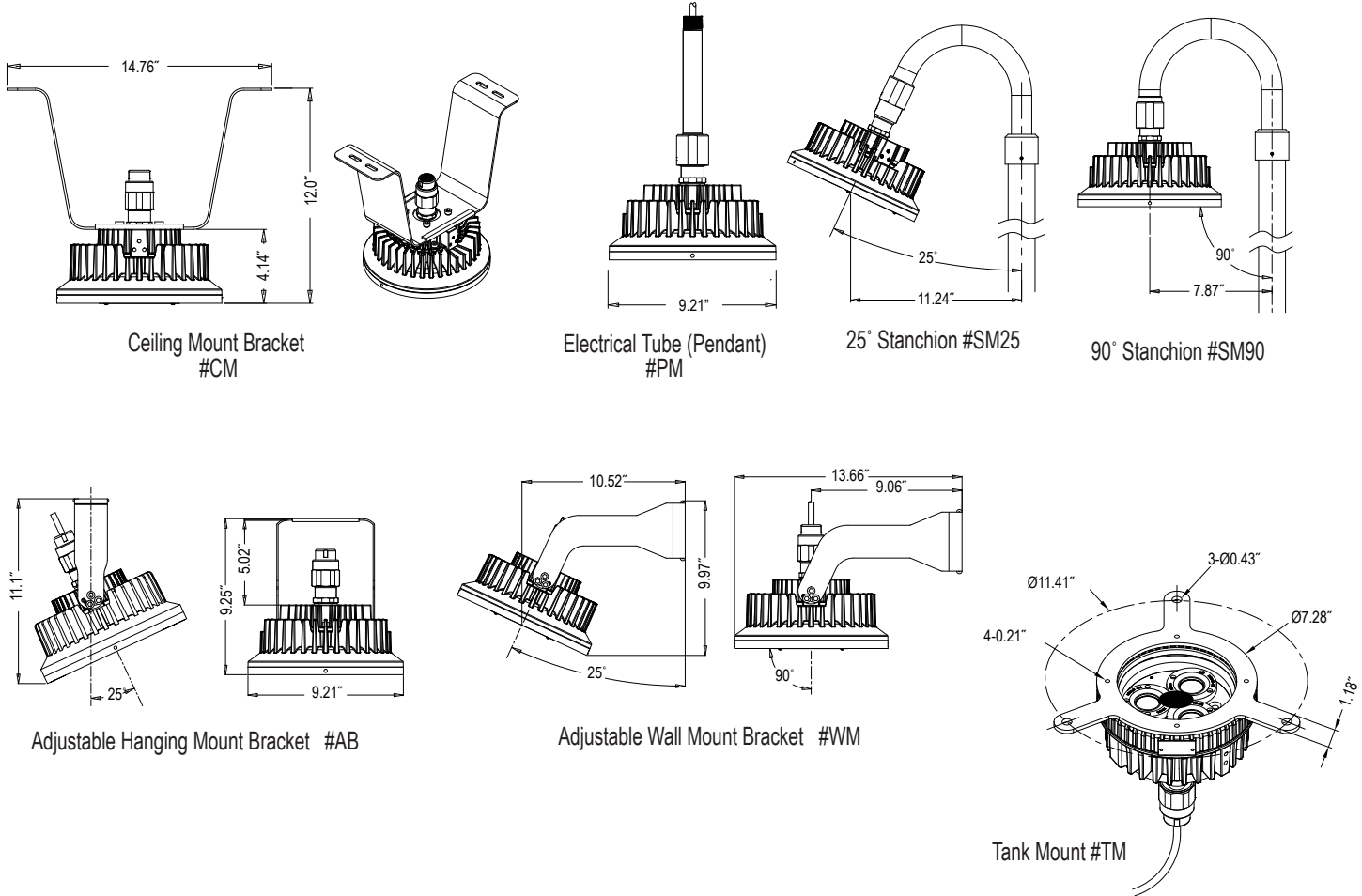
# The MONITOR C Series HazLoc

## HTR92HDIP

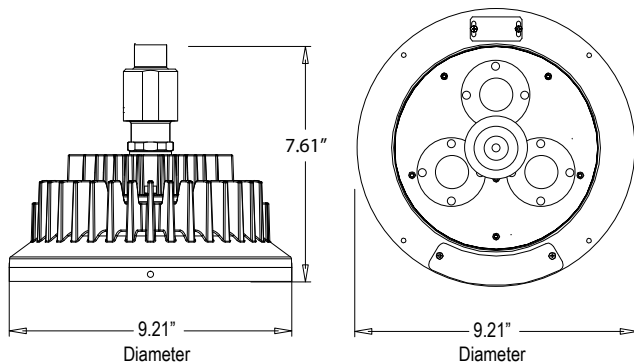
24v / 120vAC / 277vAC / 480vAC



### MOUNTING



### DIMENSIONS



Learn More About Class / Division with a Button Click.

