

BOLLARD Universal Retrofit Base Kit

BRK

Cat. #	Type
Notes	



Anchor Bolt Retrofit Adapter Plate
Fits 3-Bolt or 4-Bolt Patterns



Bollard Mounting Cover Plate
Matching cast aluminum base plate

KEY FEATURES AND BENEFITS

The Bollard Retrofit Base Kit allows installation of new bollards to most existing bolt patterns without removal of existing bolts.

This Bollard Retrofit Base Kit allows installation of new bollards to most existing bolt patterns without removal of existing bolts. Fits all Solas Ray bollards, both round and square.



7" Round



4" Round



7" Square



4" Square

INCLUDED IN UNIVERSAL RETROFIT BASE KIT

- Heavy duty die cast aluminum Anchor Bolt Retrofit Adapter Plate.
- Heavy duty die cast aluminum Bollard Mounting Cover Plate.
- Includes 4 Stainless Steel leveling bolts
- Two leveling bubbles to level base prior to mounting new bollard.
- Stainless Steel bolts for mounting bollard base plate.
- 4 Stainless Steel set screws for securing the cover plate to the adaptor plate.

Retrofit Non-Performing / Outdated Bollards with NEW Solas Ray® Lighting Bollards.



Designer Bollards



Round Dome Top Bollards



Square Flat Top Bollards



Round Flat Top Bollards

PRODUCT ORDERING SELECTION

BRK -

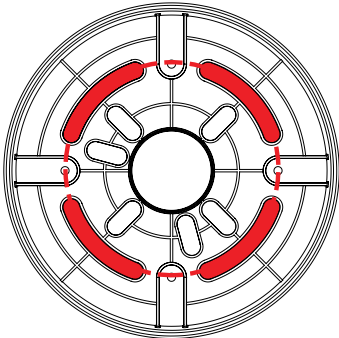
- Series
BRK
- Color
 B - Black
 Z - Bronze
 C - Custom (Consult Factory)

BOLLARD Universal Retrofit Base Kit

BRK

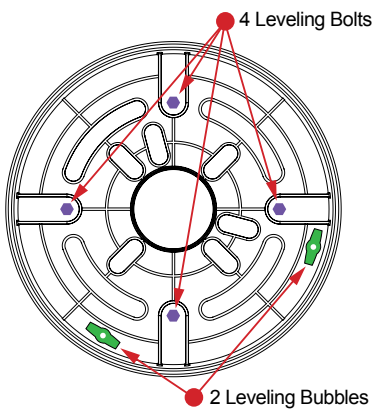
HOW IT WORKS

Anchor Bolt Retrofit Adapter Plate allows for mounting with field installed drilled anchors

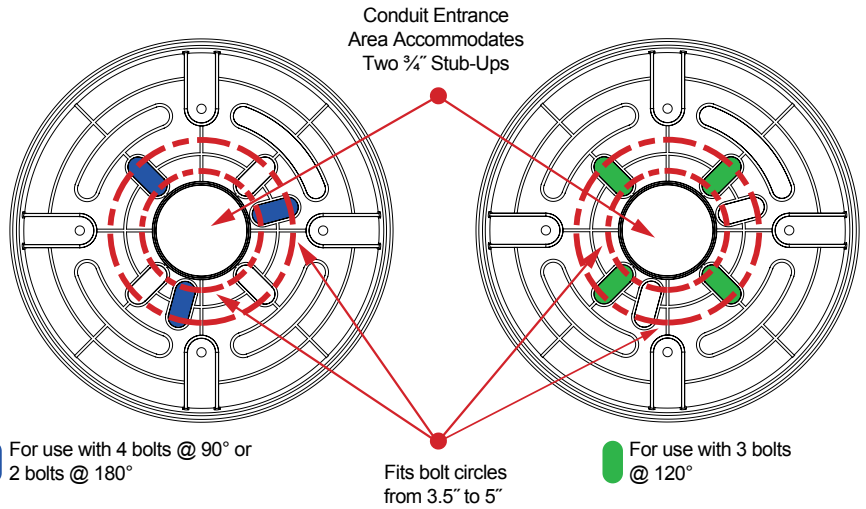


6.5" bolt circle for Drilled Anchors. Used when existing anchor bolts do not fit 4-bolt or 3-bolt slots or are damaged. These must be cut off and new drilled anchors installed.

Anchor Bolt Retrofit Adapter Plate Includes 4 leveling bolts and levels



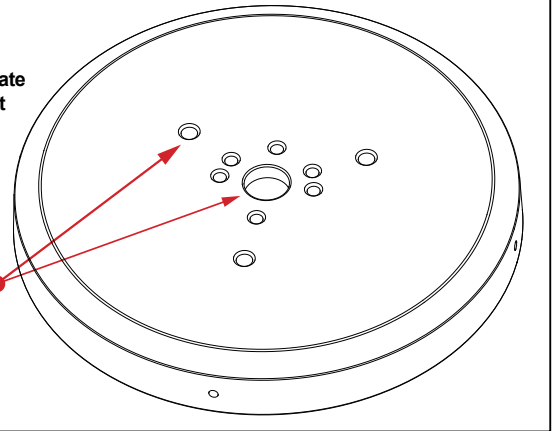
Anchor Bolt Retrofit Adapter Plate Bolt Circles for use with existing anchor bolts.



Cover Plate

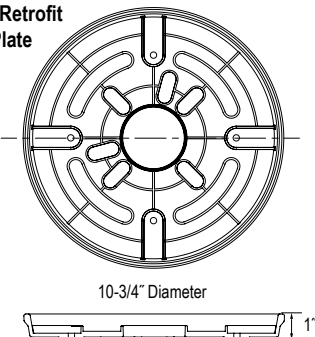
Bollard Mounting Cover Plate Mounts to Anchor Bolt Adapter Plate

Cover Plate features access holes to accommodate any of the anchor bolt combinations and conduit access.



DIMENSIONS

Anchor Bolt Retrofit Adapter Plate



Bollard Mounting Cover Plate

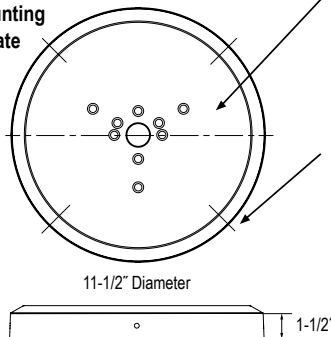


Plate has threaded holes in patterns for each bollard size. Mounting bolts are included. Bollard base mounts to plate.

Plate includes 4 set screws on sides at 90 degrees for locking basecover to mounting plate. Fully rotatable.

