

# The TROOPER Series Hazardous Location Lighting

## HQT

120-277vAC / 347-480vAC

Adjustable Yoke  
is Standard



20kA Surge Protection  
Option Available

Cat. #	Type
Notes	

## DESIGNATIONS



## KEY FEATURES AND BENEFITS

- Class I Division 2 - Groups A, B, C, D (Flammable Gases & Vapors).
- Ambient temperature capabilities: -25°C to 50°C (122°F).
- Corrosion proof – Coated aluminum alloy housing.
- Gray nylon corrosion resistant powder coat.
- Steel adjustable yoke (standard).
- High vibration resistance.
- 0-10V dimmable (standard).
- 6kV surge protection standard, 20kA surge protection available.
- Wet location ready.

## SPECIFICATIONS

<b>NAME</b>	The Trooper
<b>Category</b>	Hazardous Area Flood Light
<b>Model #</b>	HQT
<b>Voltage</b>	100 - 277vAC
<b>Class / Divisions</b>	C1 / D2, Groups A, B, C, D
<b>Ambient Temperatures</b>	-25° to 50°C (122°F)
<b>T – Rating</b>	T4
<b>Housing</b>	Heavy-Duty Die Cast Aluminum Alloy
<b>Color</b>	Gray
<b>Lens</b>	Flat Tempered Glass
<b>Wattage</b>	140w
<b>Efficacy</b>	107 lm/w

<b>Lifetime</b>	100,000 hr. at L70
<b>CRI</b>	>70 cool white
<b>Beam Angle</b>	110° x 110°
<b>Power Factor</b>	>0.90
<b>Color Temp</b>	5000 Kelvin
<b>Weight</b>	22 lbs.
<b>Dimensions</b>	10 3/4" w x 13 3/4" h x 9 3/4" l
<b>NPT</b>	3/4"
<b>Warranty</b>	5-Year Limited

140 watts	15,046 Lumens
-----------	---------------

## PRODUCT ORDERING SELECTION

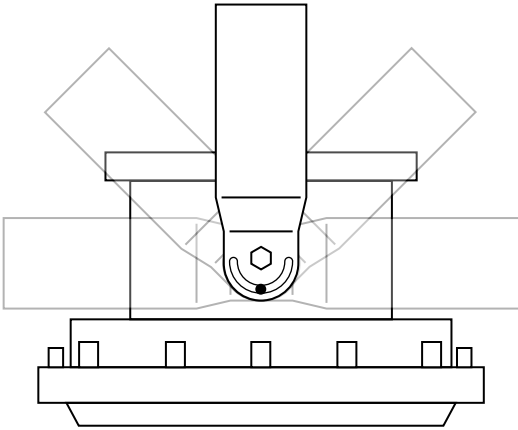
HQT	140	50	U	110	
<b>Series</b>	<b>Type-Watts</b>	<b>Kelvin</b>	<b>Voltage</b>	<b>Beam Angle</b>	<b>Options</b>
HQT	<input type="checkbox"/> 140 - 40 Watts	<input type="checkbox"/> 50 - 5000K	<input type="checkbox"/> U - 120 - 277v	<input type="checkbox"/> 110 - 110°	<input type="checkbox"/> SP - 20kA Surge Protection

# The TROOPER Series HazLoc

## HQT

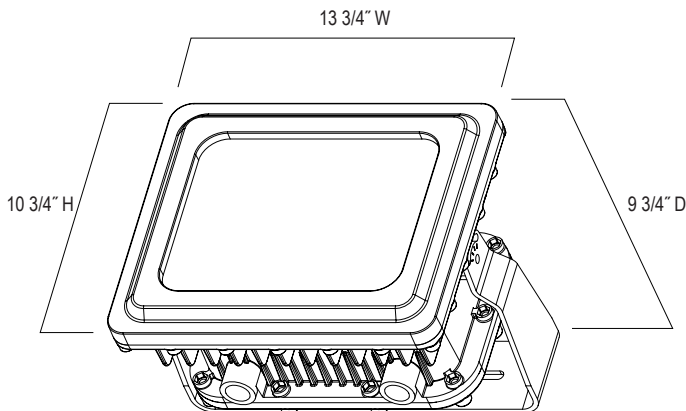
120-277vAC / 347-480vAC

### MOUNTING



Adjustable Yoke (Standard)  
#AY

### DIMENSIONS



### PRODUCT DESIGNATIONS



Learn More About Class / Division with a Button Click.

