

The CADET Series Hazardous Location Lighting

HQC

100 - 277vAC



High Vibration
RESISTANCE

Cat. #	Type
Notes	

DESIGNATIONS



KEY FEATURES AND BENEFITS

- Compact Round Hazloc Lighting for Wet Locations.
- Class 1 Division 2 - Groups A, B, C, D (Flammable Gases & Vapors).
- Ambient Temperature Capabilities: -25°C to 50°C (122°F).
- Heavy-Duty Die Cast Aluminum Alloy Housing.
- Powdercoat Finish Over a Chromate Conversion Coating.
- Sealed LED Compartment for use in Painting Facilities.
- 0-10V Dimming Standard for a Dimming Range of 100% to 10%.
- Available with Surge Protection.

SPECIFICATIONS

NAME	The Cadet
Category	Hazardous Area Multi-Purpose Light
Model #	HQC
Voltage	100 - 277vAC
Class / Divisions	C1 / D2, Groups A, B, C, D
Ambient Temperatures	-25°C to 50°C (122°F)
T - Rating	T4
Housing	Heavy-Duty Aluminum Alloy
Color	Gray
Lens	Clear Tempered Flat Glass
Wattage	64w
Lumens	8,957

Efficacy	140 lm/w
Lifetime	100,000 hr. at L70
CRI	>80
Beam Angle	Wide
Power Factor	>0.90
Color Temp	5000 Kelvin
Weight	9 - 12 lbs.
Dimensions	10.5" diameter x 6" high
NPT	1/2"
Warranty	5-Year Limited

64w	8,957 lumens
-----	--------------

PRODUCT ORDERING SELECTION

<input type="text"/>	<input type="text"/>	<input type="text"/>	<input type="text"/>	<input type="text"/>	<input type="text"/>
Series	Type-Watts	Kelvin	Voltage	Mounting Options	Other Options
HQC	<input type="checkbox"/> 064 - 64 Watts	<input type="checkbox"/> 50 - 5000K	<input type="checkbox"/> U - 100 - 277v	<input type="checkbox"/> CM - Ceiling Mount Box <input type="checkbox"/> PM - Pendant Pipe <input type="checkbox"/> WM90 - 90° Wall Mount <input type="checkbox"/> WM25 - 25° Wall Mount <input type="checkbox"/> PS90 - 90° Pole Stanchion <input type="checkbox"/> PS25 - 25° Pole Stanchion <input type="checkbox"/> TM - Trunnion Mount Bracket	<input type="checkbox"/> SP - Surge Protection

The CADET Series HazLoc

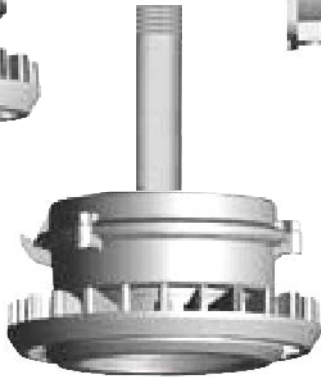
HQC

100 - 277vAC

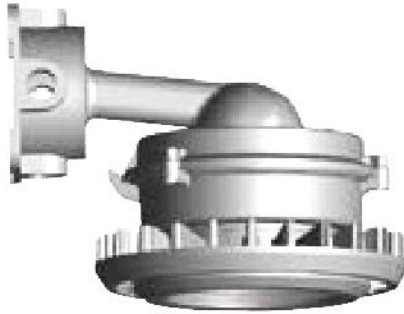
MOUNTING



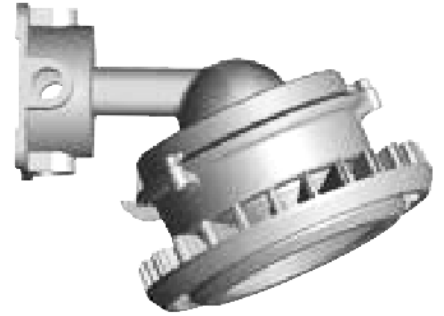
Ceiling Mount- #CM



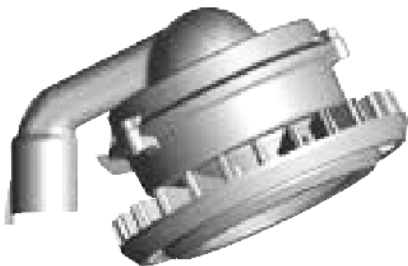
1/2" Pendant Mount - #PM



Wall Mount 90° - #WM90



Wall Mount 25° - #WM25



Pole Stanchion - 25°
#PS25

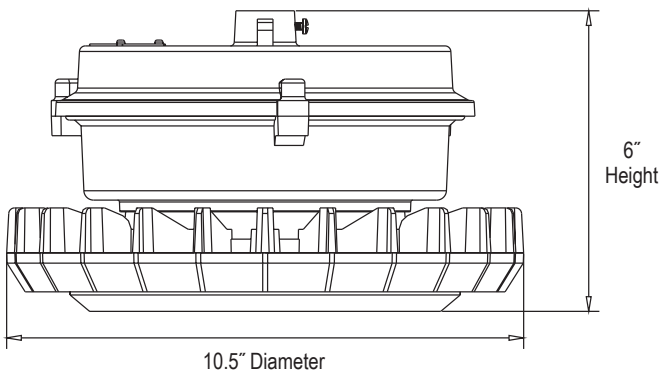


Pole Stanchion - 90°
#PS90



Trunnion Mount
#TM

DIMENSIONS



PRODUCT DESIGNATIONS



Learn More About Class / Division with a Button Click.

