

The GS Gas Station and Canopy Light

GS

120 - 277vAC



Cat. #	Type
Notes	

DESIGNATIONS



KEY FEATURES AND BENEFITS

- A viable solution as a low profile Gas Station canopy light with low wattage utilization.
- Snap-Fit mounting makes installation quick and stable.
- Dimming (1-10Vdb) is standard.
- Lightweight cast aluminum with clean, white powdercoat finish.
- Designed with a wide 18.1" low profile of 2.4" to deliver impressive illumination.
- A viable solution for Gas Station canopy lighting with 140 plus lumens per watt.
- Cooling ports dissipate heat.

SPECIFICATIONS

Name	GS Canopy Light
Category	Gas Station & Canopy Lighting
Model	#GS
Color	White Corrosion Resistant Nylon Powdercoat
Housing	Die-Cast Aluminum
Voltage	120-277vAC
Ambient Temperature	Ambient -30°C to 40°C (104°F)
Lens	Flat Tempered Glass Lens
Beam Angle	105°
IP Rating	IP65
Wattage	150w / 200w
Efficacy	140 Lumens per Watt
Lifetime	100,000 hr. at L ₇₀
CRI	Ra≥70
Power Factor	>0.95
Color Temp	4000 or 5000 Kelvin

Dimming	1-10Vdc
Weight	13.45 lbs.
Dimensions	18.1" x 18.1" x 2.4"
Warranty	5-Year Limited

150 watts	21,150 Lumens
200 watts	28,390 Lumens

PRODUCT ORDERING SELECTION

GS			U	WT
Series	Type-Watts	Kelvin	Voltage	Color
GS	<input type="checkbox"/> 15-150 - 150w <input type="checkbox"/> 20-200 - 200w	<input type="checkbox"/> 40 - 4000K <input type="checkbox"/> 50 - 5000K	<input type="checkbox"/> U - 120-277	<input type="checkbox"/> WT - White

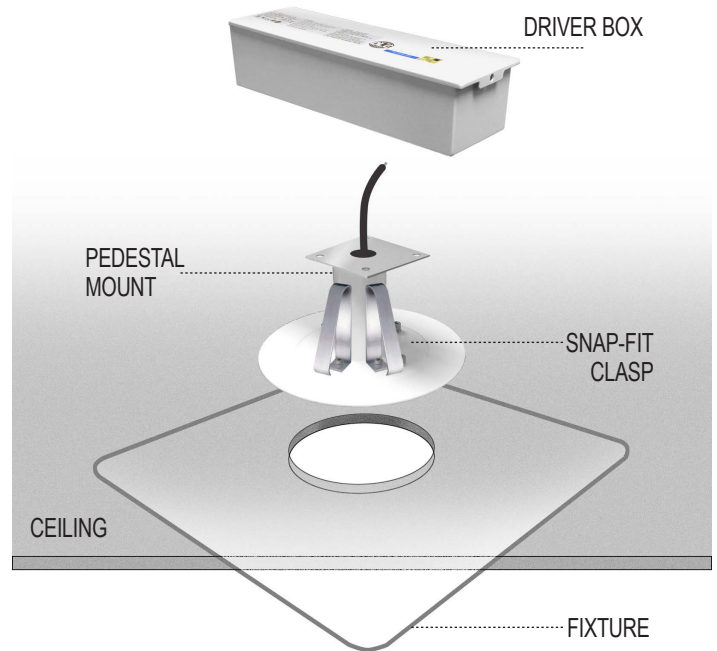
The GS Gas Station Light

GS

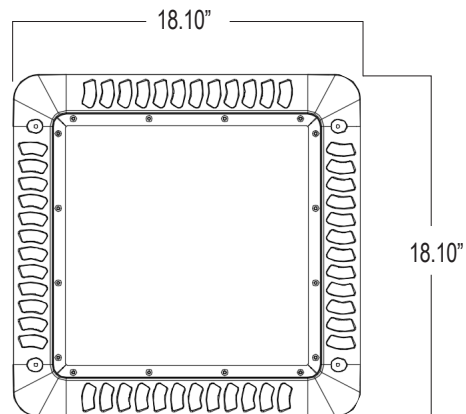
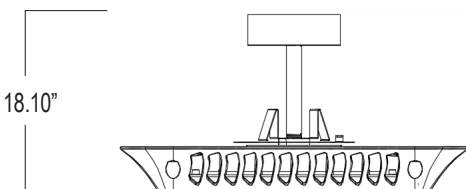
120 - 277VAC

MOUNTING

Surface Mount



DIMENSIONS



Specifications and data are subject to change without notice.

PRODUCT DESIGNATIONS

