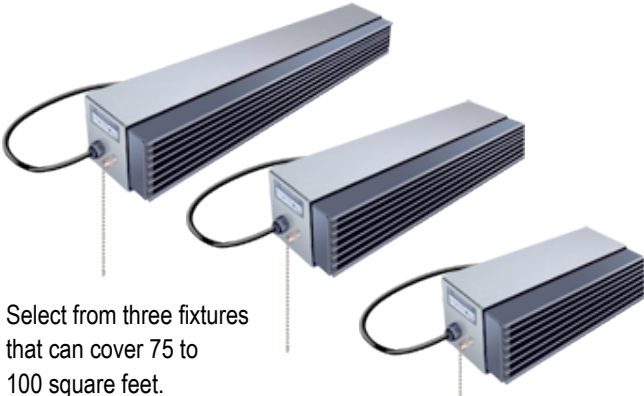


WALL MOUNT Germ Air Treatment

GWM

120 - 277vAC



Select from three fixtures that can cover 75 to 100 square feet.

Lighting Solutions For
**Healthcare • Hospitality
Educational • Institutional**

Cat. #	Type
Notes	

DESIGNATIONS



KEY FEATURES AND BENEFITS

- Industry leading US design, manufacturing and distribution.
- Provides up to 300 square feet of air disinfection.
- Improves Indoor Air Quality (IAQ) by cleaning air handling systems.
- Germicidal lamps are 254 nm / 12,000 hour life. (less than 8mg of mercury/lamp)
- Lamps are well shielded for vision safety.
- Reduces the risk of illness associated with air handling systems
- Continuously cleans upper air in rooms, preventing airborne transmissions.
- All components are in one integrated assembly for easy serviceability.
- Produces no ozone or other secondary contaminants.

APPLICATIONS

- Hospitals
- Clinics
- Clean Rooms
- Testing Facilities
- Prisons
- Pharmaceutical Manufacturing
- Laboratories
- Institutional Buildings
- Laboratories
- Sterile Packaging
- Chemistry Lab
- Bottling Plant
- Food Processing
- Ampule Filling
- Cosmetic Manufacturing
- Autopsy Rooms
- Contagion Wards
- Bakery
- Brewery
- Delivery Room
- Pediatric Wards
- Areas requiring clean upper air treatment for occupants.

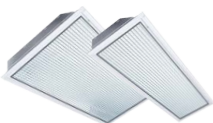
SPECIFICATIONS

Wattage	12, 24 & 36 Watt UVC Lamp	Direction Handling	Spectrally-polished Reflector and Louvres
Input Voltages	120-277vAC	Ballast	UL listed Ballast with RFI-EMI rating
Body Material	Hospital Grade Powder Coated Stainless Steel		

PRODUCT ORDERING SELECTION

100 Square Foot Wall Mounted Air Treatment			200 Square Foot Wall Mounted Air Treatment			300 Square Foot Wall Mounted Air Treatment		
<input type="checkbox"/>	GWM-12-W/120	1 ft. Wall Mounted 120V	<input type="checkbox"/>	GWM-24-W/120	2 ft. Wall Mounted 120V	<input type="checkbox"/>	GWM-36-W/120	3 ft. Wall Mounted 120V
<input type="checkbox"/>	GWM-12-W/230	1 ft. Wall Mounted 230V	<input type="checkbox"/>	GWM-24-W/230	2 ft. Wall Mounted 230V	<input type="checkbox"/>	GWM-36-W/230	3 ft. Wall Mounted 230V
<input type="checkbox"/>	GWM-12-W/277	1 ft. Wall Mounted 277V	<input type="checkbox"/>	GWM-24-W/277	2 ft. Wall Mounted 277V	<input type="checkbox"/>	GWM-36-W/277	3 ft. Wall Mounted 277V
<input type="checkbox"/>	SBL060	Replacement Lamp - GWM-12 Models	<input type="checkbox"/>	SBL325	Replacement Lamp - GWM-24 Models	<input type="checkbox"/>	SBL005	Replacement Lamp - GWM-36 Models

Germicidal Disinfectant Fixtures for Any Application.



Germicidal Recessed Troffers



Germicidal Door Barrier



Corner Mount Upper Air Germicidal Eradicator



Wall Mount Upper Air Germicidal Eradicators



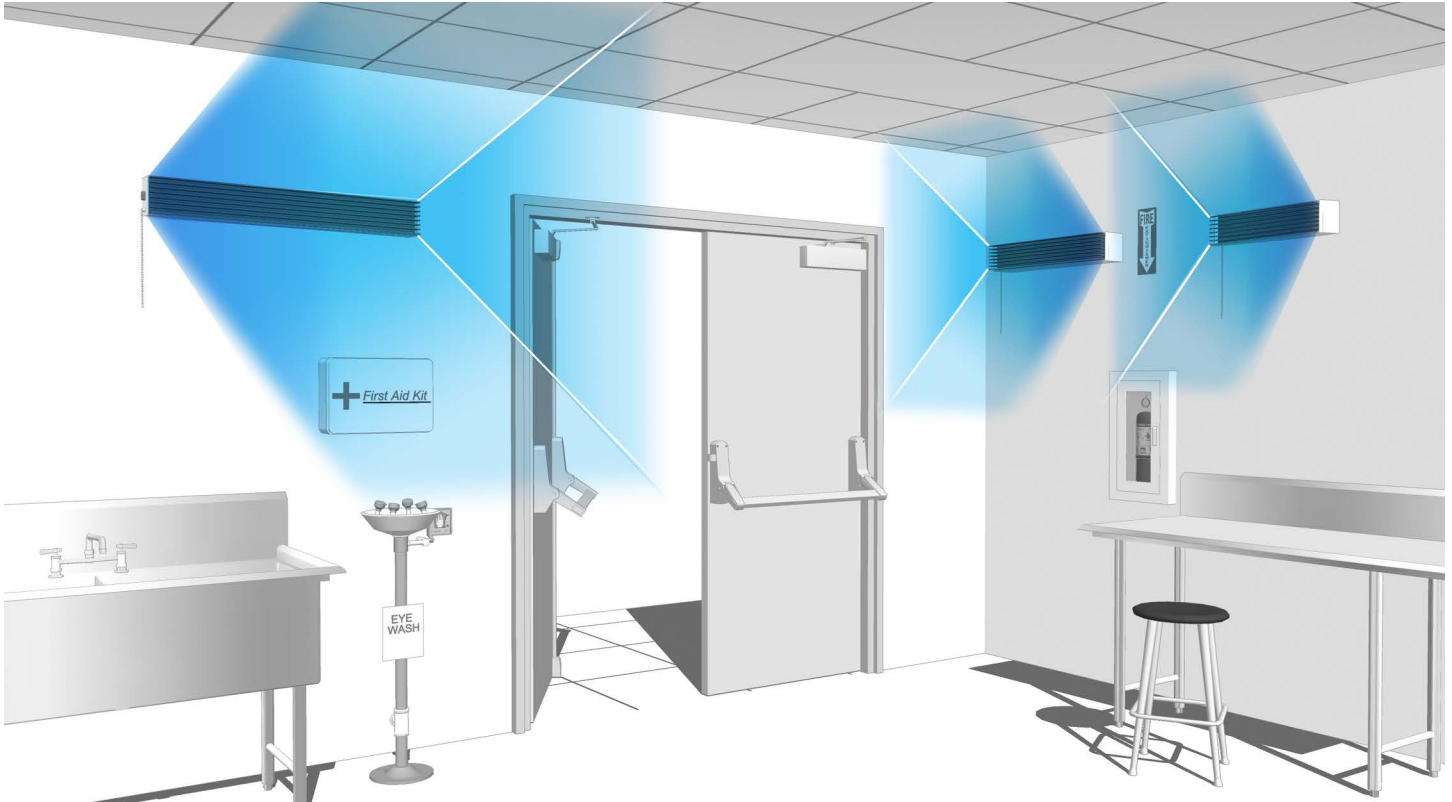
Germicidal Handheld Wand

WALL MOUNT Germ Air Treatment

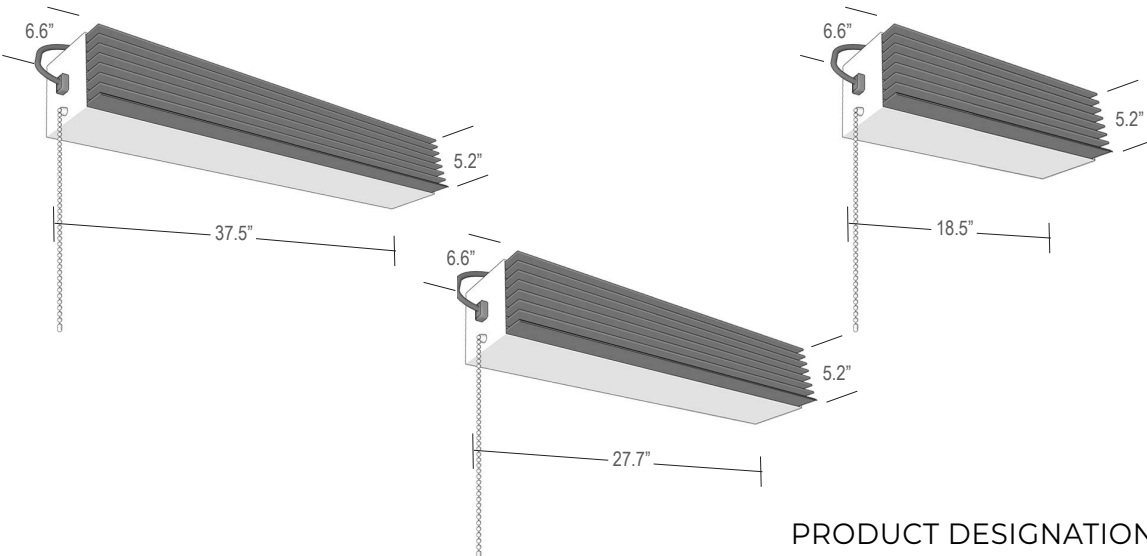
GWM

120 - 277VAC

MOUNTING



DIMENSIONS



PRODUCT DESIGNATIONS

