

# COMBO WET LOCATION LED Exit Sign & Lighting

## CESCWL

120 - 277VAC

|        |      |
|--------|------|
| Cat. # | Type |
| Notes  |      |



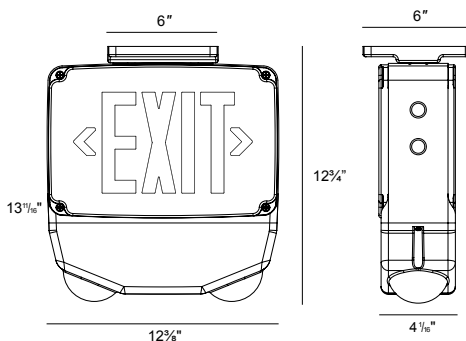
### DESIGNATIONS



### KEY FEATURES AND BENEFITS

- Long-life, energy efficient Red or Green LED EXIT sign illumination.
- 6V long life, maintenance free, rechargeable NiCd battery.
- Fully automatic solid-state, two rate charger initiates battery charging to recharge a discharged battery in 24 hours.

### DIMENSIONS



### SPECIFICATIONS

#### ELECTRICAL

- Dual 120/277V.
- Unique bi-color LED indicator light alerts occupant on battery condition (Green-normal, Red-check battery).
- 6V long life, maintenance free, rechargeable NiCd battery.
- Internal solid-state transfer switch automatically connects the internal battery to LED board and lampheads for minimum 90-minute emergency illumination.
- Fully automatic solid state, two rate charger initiates battery charging to recharge a discharged battery in 24 hours.

#### HOUSING

- 5VA flame retardant, UV stabilized polycarbonate in white, black or gray finish.
- High-impact resistant, UV stabilized polycarbonate clear lens.
- Corrosion resistant enclosure with engineering grade silicone gasket.
- Knockout's provided for conduit feed applications.
- EZ snap-out Chevron directional indicators.

#### MOUNTING

- Die-cast aluminum mounting canopy included for top or end mount
- Universal knockout pattern on back plate for wall mount.

#### OPTIONS

- SDT: Self-diagnostic feature performs monthly, biannual and annual tests to ensure reliable operation and meets electrical safety codes.
- TP: Tamper-proof hardware helps discourage unauthorized access.
- CW: Optional internal heater and battery blanket for extreme cold temperature applications (-20° C – 50° C).

#### WARRANTY/LISTING

- Five year warranty on all electronics and housing.
- Battery prorated for five years.

#### CERTIFICATIONS

- Meets UL924, NFPA 101 Life Safety Code, NEC, OSHA, Local and State Codes.
- UL listed for wet locations (0°C – 50°C).
- Certified to CEC under Title 20 Regulations.

### PRODUCT ORDERING SELECTION

CESCWL —  —  —  —

Model

CESCWL

Faces

- 1 - Single Face
- 2 - Double Face

Letter Color

- R - Red
- G - Green

Housing Color

- W - White with White Faceplate
- B - Black with Black Faceplate
- G - Gray with White Faceplate

Options

- RC - Remote Capacity
- TP - Tamper-Proof
- CW - Cold Weather
- SDT - Self-Diagnostic (Battery Backup only)
- CUSTOM - Custom Wording (Consult Factory)

