

The GIZMO Industrial Uplight

GZ

120 - 277vAC

Cat. #	Type
Notes	

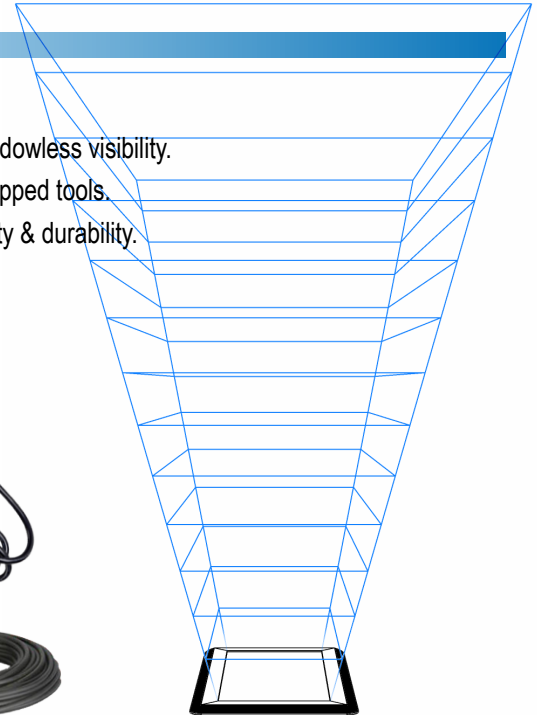
KEY FEATURES AND BENEFITS

Virtually impenetrable aluminum alloy / UV-Resistant Polycarbonate design, to:

- INCREASED VISIBILITY – patented optical design providing large coverage and near shadowless visibility.
- EXTREMELY RUGGED – withstands up to 15 tons of weight / resistant to impact from dropped tools.
- LOW MAINTENANCE – 100% serviceable / designed and assembled in the USA for quality & durability.
- UNIVERSAL PLACEMENT – portable lighting tool that mounts horizontally and vertically.
- HIGH LUMEN OUTPUT – large coverage area for consistent undercarriage lighting.
- ASSEMBLED IN THE USA – adheres to the BAA, Buy American Act standards.
- SEALED FROM FLUIDS – keeps out fluids (oil, fuel, solvents, etc.).
- SLIM PROFILE – less than an inch tall / fewer than 15 lbs.
- OPTIONAL BLUETOOTH – for easy app-based adjustments.
- DIMMABLE – to adapt to any working environment or situation.



U.S. Patent
10,371,888



THE PERFECT UP LIGHT

IP66

IP67

IK10
IMPACT
RATING

WET locations

DUST &
FIBERS

SPECIFICATIONS

NAME	Gizmo	Lumens	8,225 lm
Name	Gizmo Up Light Panel	Efficacy	137 Lumens per Watt
Category	Specialty Low Profile Up Lighting	CRI	≥80
Model	#GZ	Power Factor	>0.90
Color	Black	Dimming	Built-In (Control Box)
Housing	Die-Cast Aluminum	Color Temp (Kelvin)	5700 Kelvin
Coating	Corrosion Resistant Powdercoat	Weight	Light fixture: 14 lbs. Control Box: 2 lbs.
Voltage	120-277vAC	Dimensions	Light fixture: 26.7" l x 16.2" w x 0.9" h Control Box: 8.4" l x 5.2" w x 3.3" h
Ambient Temperature	Ambient -5°C to 40°C (104°F)	Warranty	1-Year Limited
Lens	UV-Resistant Polycarbonate (Pebbled)		
IP Rating	IP66 / IP67		
Wattage	60w		

PRODUCT ORDERING SELECTION

GZ	60	57	U	
Series	Type-Watts	Kelvin	Voltage	Options
GZ	<input type="checkbox"/> 060 - 60w	<input type="checkbox"/> 57 - 5700K	<input type="checkbox"/> U - 120-277vAC	<input type="checkbox"/> CCL16 - Connection Cable 16 ft. (standard) <input type="checkbox"/> CCL32 - Connection Cable 32 ft. <input type="checkbox"/> CCL100 - Connection Cable 100 ft. (standard)

[WEB PAGE](#)

The GIZMO Industrial Uplight

GZ

120 - 277vAC

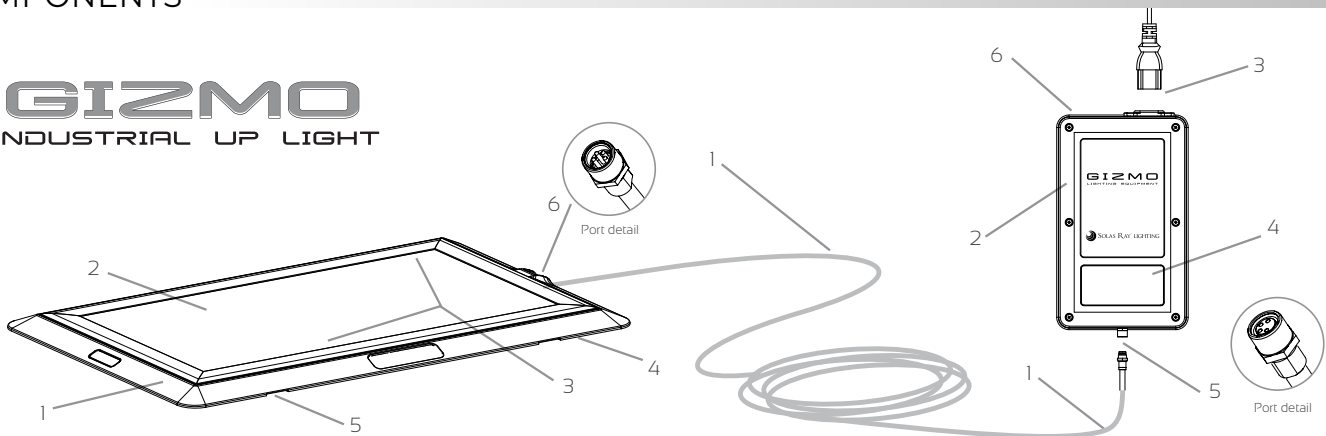
MOUNTING / ACCESSORIES / PHOTOMETRICS

- Automotive Up-Lighting
- Inspection Areas
- Security Station Drive Over
- Bucket / Scissor Lifts
- Military Field Operations
- Portable Mechanic Repairs
- Agriculture Inspections
- Food Processing
- Anywhere a rugged flat shadowless light is needed.



COMPONENTS

GIZMO INDUSTRIAL UP LIGHT



Detailed view of light panel:

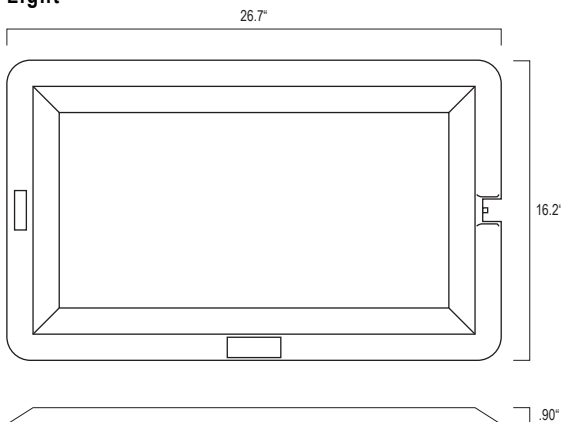
1. Powder coated aluminum frame
2. Impact-resistant polycarbonate lens
3. Protected LED strips inside
4. Anti-skid pads (6x, rear side)
5. Lift-aiding notches (4x, sides)
6. Cable port

Detailed view of control box:

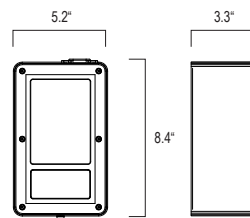
1. Connection cable
2. Control box
3. Power cord
4. Capacitive touch button
5. Cable port
6. Four magnetic feet (rear side/one per corner)

DIMENSIONS

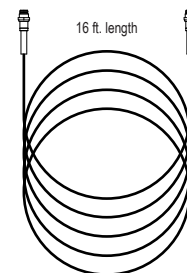
Light



Control Box



Connection Cable



PRODUCT DESIGNATIONS

IP66

IP67

IK10
IMPACT
RATING



DUST &
FIBERS

Specifications and data are subject to change without notice.

