

The SLIMLINE Series Bay Lighting

HS

120 - 277vAC / 347 - 480vAC

Cat. #	Type
Notes	



16.9" diameter

12.6" Shown with Round Acrylic Diffuser

DESIGNATIONS



KEY FEATURES AND BENEFITS

- Industry-leading fixture with a sleek low-profile design.
- Meanwell Drivers with built-in (4Kv) Surge Protection.
- Unique patented thermal management design to ensure low LED junction temperature.
- Die cast aluminum housing with anodized coating for corrosion resistance.
- Designed for easy installation, maintenance free, dust prevention & longer life.

SPECIFICATIONS

Name	Slimline
Category	High & Low Bay Lighting
Model	#HS
Color	Black
Housing	Premium Grade Die-Cast Aluminum
Voltage	120-277vAC / 347-480vAC
Ambient Temperature	Ambient -10°C to 45°C (113°F)
Lens	Acrylic Flat Lens, Clear (standard)
Beam Angles	60° or 120°
IP Rating	IP65
Wattage	77w / 99w / 132w / 150w / 210w
Efficacy	Standard >134 Lumens per Watt High Efficiency (HE) >151 Lumens per Watt
Lifetime	100,000 hr. at L ₇₀
CRI	Ra≥70
Power Factor	>0.95
Color Temp	5000 Kelvin

Weight	14 lbs. / 8 lbs.
Dimensions	16.9" dia. x 6.75" / 16.9" dia. x 6.15"
Warranty	5-Year Limited

Item	Wattage	Voltage	Lumens
HS10-077	77 Watts	120-277V / 347-480V	12,340 Lm
HS17-099	99 Watts	120-277V / 347-480V	15,824 Lm
HS19-132	132 Watts	120-277V / 347-480V	20,905 Lm
HS21-150	150 Watts	120-277V / 347-480V	25,260 Lm
HS26-210	210 Watts	120-277V / 347-480V	31,792 Lm

PRODUCT ORDERING SELECTION

HS	50	BK	
Series	Type-Watts	Kelvin	Voltage
HS	<input type="checkbox"/> 10-077 - 77 Watts (12.6") <input type="checkbox"/> 17-099 - 99 Watts (12.6") <input type="checkbox"/> 19-132 - 132 Watts (12.6") <input type="checkbox"/> 21-150 - 150 Watts (16.9") <input type="checkbox"/> 26-210 - 210 Watts (16.9")	<input type="checkbox"/> 50-5000K (Std)	<input type="checkbox"/> U-120-277 <input type="checkbox"/> 48-347-480
		Color	Lens Options
		<input type="checkbox"/> BK-Black (std)	<input type="checkbox"/> AFL Acrylic Flat Lens, Clear (std) <input type="checkbox"/> AFL-WT Acrylic Flat Lens, Frosted <input type="checkbox"/> GRL Round Diffuser, Acrylic
			Other Options
			<input type="checkbox"/> Insert option code(s) from listing on page 2 here.

The SLIMLINE Series Bay Lighting

HS

120 - 277vAC / 347 - 480vAC

MOUNTING, OPTIONS AND ACCESSORIES



Standard Lens
AFL



Translucent White Lens
AFL-WT



Motion Sensor
MS



Trunnion Bracket
TB



Glare Guard
GG



Round Acrylic Diffuser
GRL

ITEM CODES & DESCRIPTIONS

Cords and Plugs - Factory Installed

- CDX - Customer Spec'd length Power Cord - 120/277 vAC (No Plug 3 wires) per Foot
- CP - 6' Cord with 120 vAC Wall Outlet Plug (Sales Demo)
- TLP - 277 Twist Lock Plug Commercial Grade/Insulated
- CUS-P - Customer Spec'd Plug - Labor Only

Indoor Sensors and Controls

- MS - Motion Sensor

Add on Electrical Components

- EMBL-180 - Emergency Backup 180 Minutes - IP65
- EMBL-120 - Emergency Backup - 120 Minutes
- HBG - 1-10V Dimming
- ELG - 0-10V Dimming

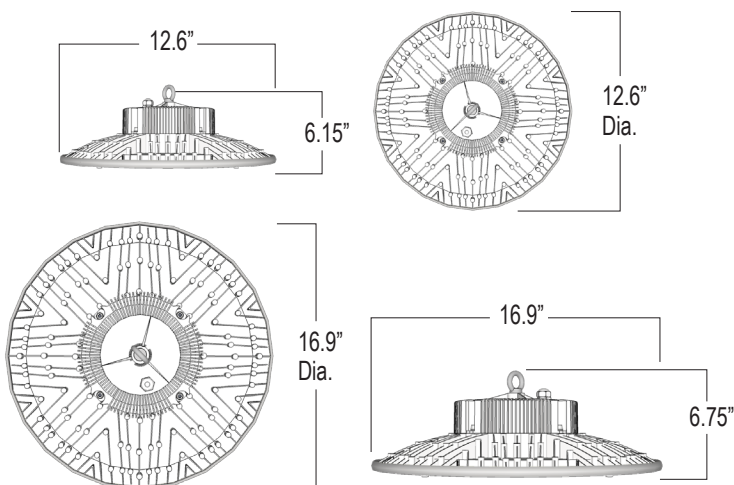
Add on Components

- CH - Chain Ring (Standard)
- GG - Glare Guard
- GRL - Round Acrylic Diffuser
- WGHB - Aluminum Protective Wire Guard

Mounting Options

- TB - Trunnion Bracket

DIMENSIONS



PRODUCT DESIGNATIONS

