

The SELECTOR Series Field Adjustable Bay Lighting

MHB-200

120 - 277vAC



Shown with Plug-In PIR Sensor

Cat. #	Type
Notes	

DESIGNATIONS



KEY FEATURES AND BENEFITS

- Field adjustable WATTAGE selection provides flexibility and energy savings.
- Field adjustable BEAM PATTERNS for open areas and aisle lighting in the same fixture.
- Plug-in motion sensor (PIR) option added easily with no internal wiring is required.
- Remote control is available for the sensor if on-site re-programming is required.
- Fixture ships at 200-watt setting and easy access dip-switches can lower the wattage.
- Dimmable drivers are standard. Non-dimmable available upon request.
- Unique heat-sink design with a compact 12.6" overall diameter.
- Polycarbonate (PC) and Aluminum (ALU) reflector options are available.
- Eye bolt mounting standard and adjustable bracket mounting is available.

SPECIFICATIONS

Name	The Selector
Category	High Bay Lighting
Model	# MHB-200
Color	Black
Housing	Aluminum Alloy
Voltage	120-277vAC
Ambient Temperature	Ambient -30°C (-22°F) to 50°C (122°F)
Lens	Clear Polycarbonate Flat Lens
Beam Angles	Adjust to Wide, Medium & Narrow
IP Rating	IP54
Wattage	100w // 120 / 150w / 200w
Efficacy	Up to 150 Lumens per Watt
Lifetime	100,000 hr. at L ₇₀
CRI	Ra≥70
Power Factor	>0.90
Color Temp (Kelvin)	4000K & 5000K Kelvin
Size	12.60" diameter x 7.17" high
Weight	7 lbs.
Warranty	5-Year Limited



DIP Switches provide you four wattage selections for optimal performance in any environment.

Water tight plug secures settings and makes access easier for future field adjustments.

The Selector Bay Light Selectable Settings

Wattage	Lumen	Dip Switch Positions		
		1	2	4
200W	30,000	Up	Down	Down
150W	22,500	Down	Up	Down
120W	18,000	Down	Down	Up
100W	15,000	Down	Down	Down

PRODUCT ORDERING SELECTION

MHB	200		U	PCL		
Series MHB-200	Selectable Watts <input type="checkbox"/> 100 - 100 Watts <input type="checkbox"/> 120 - 120 Watts <input type="checkbox"/> 150 - 150 Watts <input type="checkbox"/> 200 - 200 Watts (default)	Kelvin <input type="checkbox"/> 40 - 4000K <input type="checkbox"/> 50 - 5000K	Voltage <input type="checkbox"/> U - 120 -277v	Lens <input type="checkbox"/> PCL - Polycarbonate Lens (standard)	Mounting Options <input type="checkbox"/> EB - Eye Bolt (standard) <input type="checkbox"/> BC - Adjustable Bracket <input type="checkbox"/> SC01A - Safety Chain / Hooks	Other Options <input type="checkbox"/> PIR4T - PIR Sensor <input type="checkbox"/> MS4T - Motion Sensor <input type="checkbox"/> RC100 - PIR Sensor Remote Control <input type="checkbox"/> 1A - Polycarbonate Reflector <input type="checkbox"/> 1B - Polycarbonate Reflector with Cover <input type="checkbox"/> D02 - 90° Aluminum Reflector <input type="checkbox"/> D03 - 65° Aluminum Reflector



The SELECTOR Series Bay Lighting

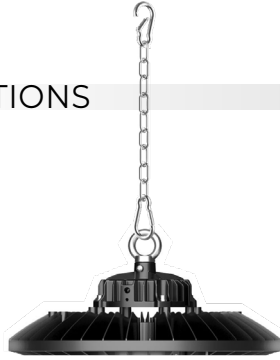
MHB-200

120 - 277VAC

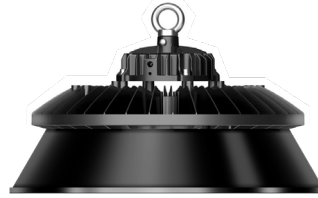
MOUNTING AND OPTIONS



Adjustable Bracket
BC



Chain and Hook
SC01A



90° Aluminum Reflector
D02



65° Aluminum Reflector
D03



Polycarbonate Reflector
with Cover # 1B



Polycarbonate Reflector
1A



PIR Sensor
PIR4T

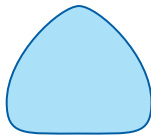


PIR Sensor
Remote Control
RC100

Unique Lens Design allows you to easily field adjust lens to achieve Wide, Medium or Narrow light distribution.



Wide

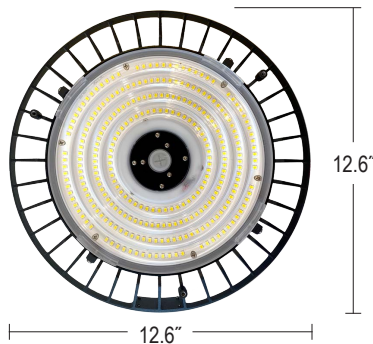
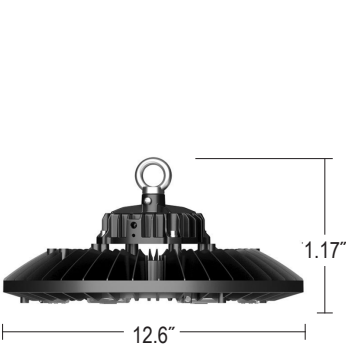


Medium



Narrow

DIMENSIONS



PRODUCT DESIGNATIONS

