

The HIGH OUTPUT LINEAR Series Bay Lighting

HB6

by **RCA** COMMERCIAL ELECTRONICS

120 - 277vAC / 347 - 480vAC*

Cat. #	Type
Notes	

DESIGNATIONS



KEY FEATURES AND BENEFITS

- Combination of high lumen output with low glare.
- 115° light distribution.
- Impressive 130 or 125 lumens per watt efficacy.
- Fully gasketed and sealed, rated for NSF and Wet Locations.
- Polycarbonate Diffuser Lens standard.
- External Driver increases performance in high ambient temperatures.
- Dimming Drivers are standard.
- Easily apply Occupancy Motion Sensor.
- Features the "Power-Connect" Cable Joiner with 10' Cord standard.
- Aircraft Cable Mounting System standard.



SPECIFICATIONS

Name	High Output High Bay
Category	Commercial / Industrial Linear Lighting
Model	#HB6
Color	Gray
Housing	Lightweight Aluminum Alloy
Voltage	120-277vAC / 347-480vAC*
Ambient Temperature	Ambient -10°C to 55°C (131°F)
Lens	Diffused Polycarbonate Lens
Beam Angle	≥ 115°
IP Rating	IP66
Wattage	80w / 100w / 160w / 200w
Efficacy	130 / 125 Lumens per watt
Lifetime	50,000 hr. at L ₈₀
CRI	Ra≥80
Power Factor	>0.95
Color Temp	4000, 5000 Kelvin
Warranty	5-Year Limited

Item	Length	Wattage	Lumens	Efficacy
HB62480W-50	2 ft. / 24"	80 Watts	10,400 Lm	130lm/w
HB636100W-50	3 ft. / 36"	100 Watts	13,000 Lm	130lm/w
HB648160W-50	4 ft. / 48"	160 Watts	20,000 Lm	125lm/w
HB660200W-50	5 ft. / 60"	200 Watts	25,000 Lm	125lm/w

* High Voltage - 347-480vAC available in 5 ft. length only.

PRODUCT ORDERING SELECTION

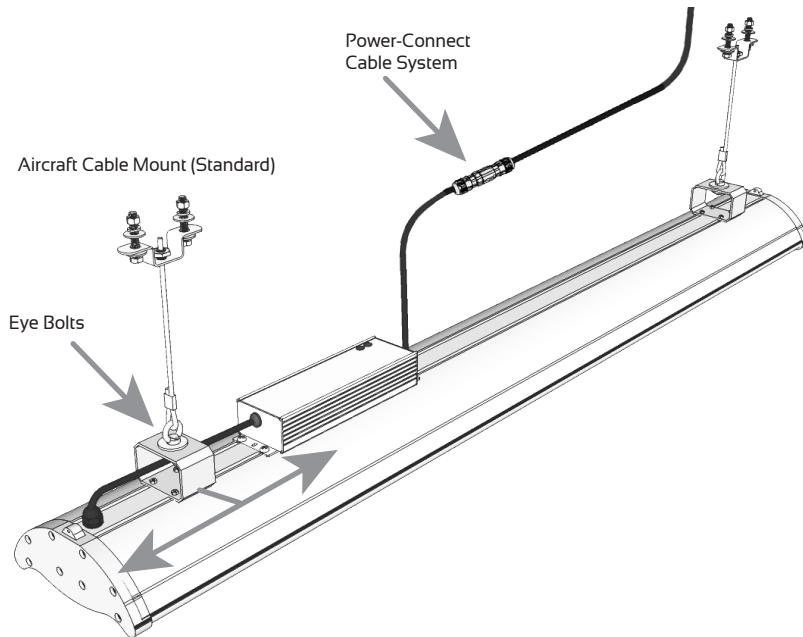
HB6				
Series	Length / Watts	Kelvin	Options	Specify Usage
HB6	<input type="checkbox"/> 24 - 80W = 24" length, 80 watts <input type="checkbox"/> 36 - 100W = 36" length, 100 watts <input type="checkbox"/> 48 - 160W = 48" length, 160 watts <input type="checkbox"/> 60 - 200W = 60" length, 200 watts	<input type="checkbox"/> 40-4000K <input type="checkbox"/> 50-5000K	<input type="checkbox"/> HV - 347-480vAC <input type="checkbox"/> EB - Emergency Back-up, 120vAC (4' and 5' Only) <input type="checkbox"/> EM - Emergency Back-up <input type="checkbox"/> MSPkg - Moion Sensor Kit	<input type="checkbox"/> N - NSF

The HIGH OUTPUT LINEAR Series Bay

HB6

120 - 277vAC / 347 - 480vAC*

MOUNTING

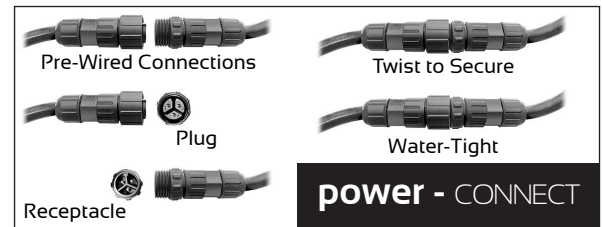


Each Fixture Includes a Complete Aircraft Cable Mounting System.
Railing on top of fixture body allows for positioning the mounting eye bolts.
When specifying for NSF application, consult factory.



Fully gasketed and sealed, rated for NSF and Wet Locations.

power-CONNECT

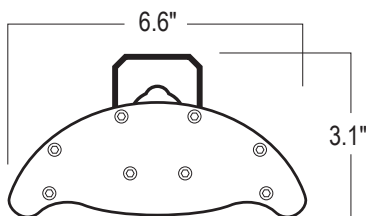


Occupancy Sensor # MSPkg



1-100% continuous dimming control
Specifically designed for LED fixture control
Suitable for use in standard cold storage applications
Visual RGB LED indicators for device status and troubleshooting
Alternating relay software for increased lamp life
UL listed for 120-277V and 347-480 separately.

DIMENSIONS



WEIGHT RANGES:

2 FT.	7.9 lbs.
3 FT.	11.3 lbs.
4 FT.	14 lbs.
5 FT.	19 lbs.

PRODUCT DESIGNATIONS

