

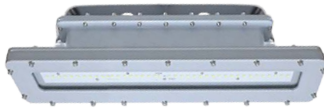
# The STEWARD Series Hazardous Location Lighting

## HJIL41 / HJIL21

100 - 277vAC / 200 - 480vAC



HJIL41 - 4 ft



HJIL21 - 2 ft

High Vibration  
**RESISTANCE**

Cat. #	Type
Notes	

### DESIGNATIONS



### KEY FEATURES AND BENEFITS

- Class 1 Division 1 - Groups C, D (Flammable Gases & Vapors).
- Class 1 Division 2 - Groups A, B, C, D (Flammable Gases & Vapors).
- Class 2 Divisions 1 & 2 - Groups E, F, G (Combustible Dusts).
- Class 3 Divisions 1 & 2.
- Ambient temperature capabilities: -40°C to 60°C (140°F).
- Corrosion proof – Coated aluminum alloy (copper free) housing.
- Gray nylon corrosion resistant powder coat.
- Marine and wet location ready.
- Paint/Spray listed for use in paint or powder booths.

### SPECIFICATIONS

<b>NAME</b>	The Steward
<b>Category</b>	Hazardous Area Linear Lighting
<b>Model #</b>	HJIL
<b>Voltage</b>	100 - 277vAC or 200 - 480vAC
<b>Ambient Temperatures</b>	-40°C to 60°C (140°F)
<b>T – Rating</b>	T4
<b>Housing</b>	Coated Copper Free Aluminum Alloy
<b>Color</b>	Gray
<b>Lens</b>	Flat Tempered Glass
<b>Wattage</b>	30w / 40w / 60w / 80w / 100w / 120w
<b>Efficacy</b>	140 lm/w
<b>Lifetime</b>	70,000 hr. at L70
<b>CRI</b>	>70 cool white
<b>Beam Angle</b>	120°
<b>Power Factor</b>	>0.95
<b>Color Temp</b>	4000 & 5000 Kelvin

<b>Weight</b>	2 ft - 8.82 lbs. / 4 ft - 12.13 lbs. lbs.
<b>Dimensions</b>	47.5" L x 5.5" W x 8.1" H 24" L x 5.5" W x 8.1" H
<b>NPT</b>	3/4"
<b>Warranty</b>	5-Year Limited

2 ft. 30w	4,200 Lumens
2 ft. 40w	5,600 Lumens
4 ft. 40w	5,600 Lumens
4 ft. 60w	8,400 Lumens
4 ft. 80w	11,200 Lumens
4 ft. 100w	14,000 Lumens
4 ft. 120w	16,800 Lumens

### PRODUCT ORDERING SELECTION

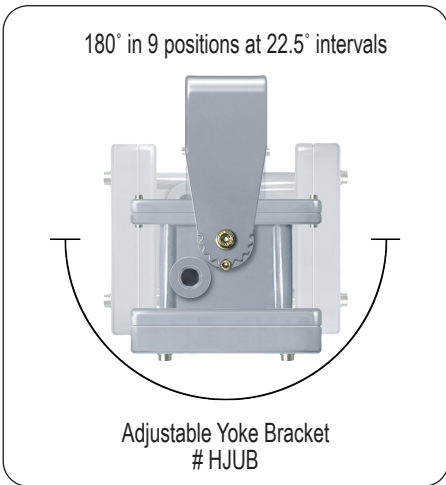
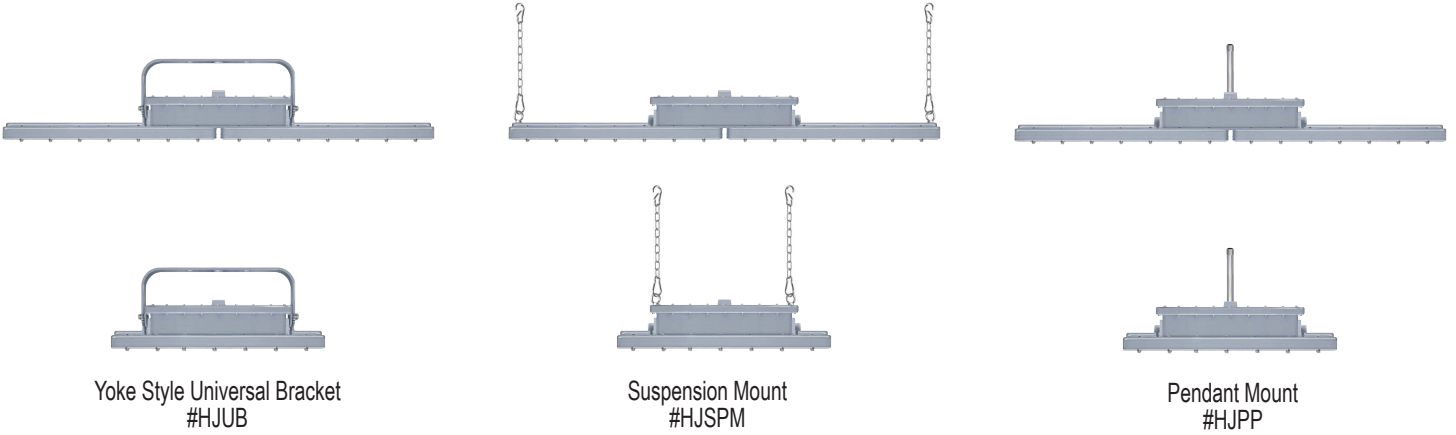
<input type="text"/>	<input type="text"/>	<input type="text"/>	<input type="text"/>	<input type="text" value="120"/>	<input type="text"/>
<b>Series</b>	<b>Type-Watts</b>	<b>Kelvin</b>	<b>Voltage</b>	<b>Beam Angle</b>	<b>Mounting Options</b>
HJIL21 - 2 ft	<input type="checkbox"/> 030 - 30 Watts (2 ft only)	<input type="checkbox"/> 40 - 4000K	<input type="checkbox"/> U -120 -277v	<input type="checkbox"/> 120 -120°	<input type="checkbox"/> HJUB - Universal Yoke Bracket
HJIL41 - 4 ft	<input type="checkbox"/> 040 - 40 Watts (2 ft & 4 ft)	<input type="checkbox"/> 50 - 5000K	<input type="checkbox"/> 48 -200 -480v		<input type="checkbox"/> HJPP - Pendant Mount
	<input type="checkbox"/> 060 - 60 Watts (4 ft only)				<input type="checkbox"/> HJSPM- Suspension Mount
	<input type="checkbox"/> 080 - 80 Watts (4 ft only)				
	<input type="checkbox"/> 100 - 100 Watts (4 ft only)				
	<input type="checkbox"/> 120 - 120 Watts (4 ft only)				

# The STEWARD Series HazLoc

## HJIL41 / HJIL21

100 - 277vAC / 200 - 480vAC

### MOUNTING



### DIMENSIONS

### PRODUCT DESIGNATIONS



Learn More About Class / Division with a Button Click.

