

The MARINER 4 Series Hazardous Location Lighting

HQH4

120-277vAC / 347-480vAC

| | |
|--------|------|
| Cat. # | Type |
| Notes | |

DESIGNATIONS



KEY FEATURES AND BENEFITS

- Class 1 Division II (Flammable Gases & Vapors).
- HazLoc ambient temperature capabilities: -25°C to 40°C (104°F).
- Heavy-Duty Die Cast Aluminum Housing.
- Tapped Conduit Entry All Four Sides.
- Gray Powdercoat Finish Over a Chromate Conversion Coating.
- Clear or Opal Polycarbonate Vandal-Resistant Lens.
- Internal Surge Protection - 6kV.
- Easy installation and maintenance.
- Also available as Non-HazLoc Harsh Location.

Typical applications include walkways, stairwells, hallways, loading docks, wet locations and hazardous areas.



49" Length
126w / 152w

SPECIFICATIONS

| | |
|-----------------------------|---|
| NAME | The Mariner 4 |
| Category | Hazardous Area Linear Lighting |
| Model # | HQH4 |
| Voltage | 120 - 277vAC / 347 - 480vAC |
| Class / Divisions | C1 / D2, Groups A, B, C, D |
| Ambient Temperatures | -25°C to 40°C (104°F) |
| T - Rating | T4 |
| Housing | Marine Grade Aluminum Alloy |
| Color | Gray |
| Lens | Clear Polycarbonate Vandal-Resistant Lens Opal Polycarbonate Vandal-Resistant Lens |
| Wattage | 126w, 152w |
| Lifetime | 170,000 hr. at L ₇₀ (25°C) |
| CRI | >70 cool white |
| Power Factor | >0.90 |
| Color Temp | 4000 & 5000 Kelvin |
| Dimensions | 49" x 7" H x 4.25" D |
| NPT | ¾" |
| Warranty | 5-Year Limited |

| MODEL | DESCRIPTION | WATTAGE | CLEAR LENS | OPAL LENS |
|------------|-------------|---------|------------|-----------|
| HQH4 - 126 | Open Face | 126 | 16,287 Lm | 13,720 Lm |
| HQH4 - 152 | Open Face | 152 | 19,773 Lm | 16,594 Lm |

MORE AVAILABLE MARINERS

The Mariner Line consists of 1 ft, 2 ft and 4 ft linears fixtures available in Hazardous Location or Non-Hazardous Industrial.



The MARINER 1 HQH1 - 12.25" length
26 w / 3,332 lumens | 43w 5,538 lumens



The MARINER 2 HQH2 - 25.85" length
58 w / 7,309 lumens | 77w 10,294 lumens

PRODUCT ORDERING SELECTION

| | | | | | | |
|---|--|---|---|---|--|--|
| HQH4 | | | | | GR | |
| Series / Frame Type HQH4 - Open | Wattage <input type="checkbox"/> 126 - 126 Watts <input type="checkbox"/> 152 - 152 Watts | Kelvin <input type="checkbox"/> 4K - 4000K <input type="checkbox"/> 5K - 5000K | Lens <input type="checkbox"/> PC - Clear Polycarbonate <input type="checkbox"/> LPC - Opal Polycarbonate | Voltage <input type="checkbox"/> U - 120-277 <input type="checkbox"/> 48 - 347-480 | Color <input type="checkbox"/> GR - Gray | Mounting Options <input type="checkbox"/> YK - Yoke Mount <input type="checkbox"/> PV - Pivot Mount |

The MARINER 4 Series HazLoc

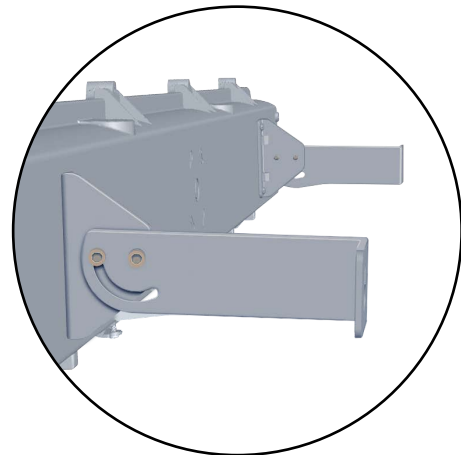
HQH4

120-277vAC / 347-480vAC

MOUNTING



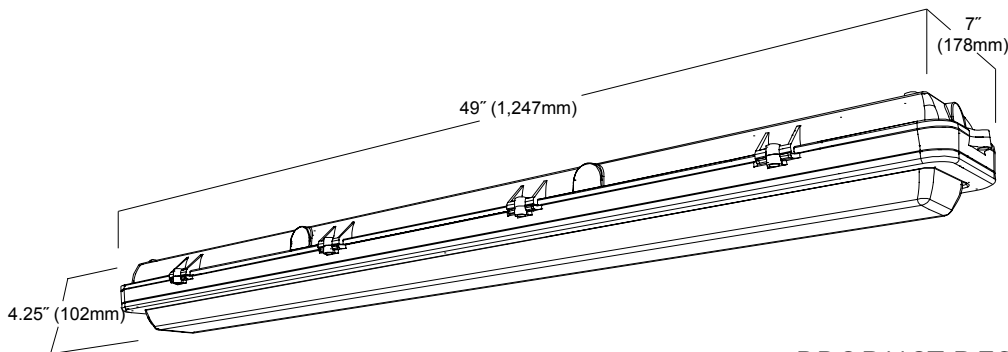
Stainless Steel Yoke
YK



Stainless Steel
Pivot Mount
PV

The Mariner Hazardous Location Light requires the Stainless Steel Pivot Mount or Yoke Mount in order to maintain its Hazardous Location Certification.

DIMENSIONS



PRODUCT DESIGNATIONS



Learn More About Class / Division with a Button Click.

