

The MARINER 2 Series Hazardous Location Lighting

HQH2

120-277vAC / 347-480vAC

Cat. #	Type
Notes	

DESIGNATIONS



KEY FEATURES AND BENEFITS

- Class 1 Division II (Flammable Gases & Vapors).
- HazLoc ambient temperature capabilities: -25°C to 40°C (104°F).
- Heavy-Duty Die Cast Aluminum Housing.
- Tapped Conduit Entry All Four Sides.
- Gray Powdercoat Finish Over a Chromate Conversion Coating.
- Clear or Opal Polycarbonate Vandal-Resistant Lens.
- Internal Surge Protection - 6kV.
- Easy installation and maintenance.
- Also available as Non-HazLoc Harsh Location.

Typical applications include walkways, stairwells, hallways, loading docks, wet locations and hazardous areas.



25.85" Length
58w / 77w

SPECIFICATIONS

NAME	The Mariner 2
Category	Hazardous Area Linear Lighting
Model #	HQH2
Voltage	120 - 277vAC / 347 - 480vAC
Class / Divisions	C1 / DII, Groups A, B, C, D
Ambient Temperature	-25°C to 40°C (104°F)
T - Rating	T4
Housing	Marine Grade Aluminum Alloy
Color	Gray
Lens	Clear Polycarbonate Vandal-Resistant Lens Opal Polycarbonate Vandal-Resistant Lens
Wattage	58w, 77w
Lifetime	170,000 hr. at L ₇₀ (25°C)
CRI	>70 cool white
Power Factor	>0.90
Color Temp	4000 & 5000 Kelvin
Dimensions	25.85" x 4.13" H (Body is 6.46" H)
NPT	¾"
Warranty	5-Year Limited

MODEL	DESCRIPTION	WATTAGE	CLEAR LENS	OPAL LENS
HQH2 - 058	Open Face	58	7,309 Lm	5,932 Lm
HQH2 - 077	Open Face	77	10,294 Lm	8,356 Lm

MORE AVAILABLE MARINERS

The Mariner Line consists of 1 ft, 2 ft and 4 ft linears fixtures available in Hazardous Location or Non-Hazardous Industrial.



The MARINER 1 HQH1 - 12.25" length
26 w / 3,332 lumens | 43w 5,538 lumens



The MARINER HQH4 - 49" length
126 w / 16,287 lumens | 152w 19,773 lumens

PRODUCT ORDERING SELECTION

HQH2					GR	
Series / Frame Type HQH2 - Open	Wattage <input type="checkbox"/> 058 - 58 Watts <input type="checkbox"/> 077 - 77 Watts	Kelvin <input type="checkbox"/> 40 - 4000K <input type="checkbox"/> 50 - 5000K	Lens <input type="checkbox"/> PC - Clear Polycarbonate <input type="checkbox"/> LPC - Opal Polycarbonate	Voltage <input type="checkbox"/> U - 120-277 <input type="checkbox"/> 48 - 347-480	Color <input type="checkbox"/> GR - Gray (Standard)	Mounting Options <input type="checkbox"/> YK - Yoke Mount <input type="checkbox"/> PV - Pivot Mount

The MARINER 2 Series HazLoc

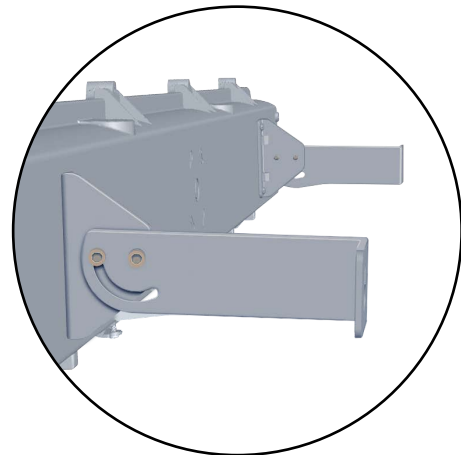
HQH2

120-277vAC / 347-480vAC

MOUNTING



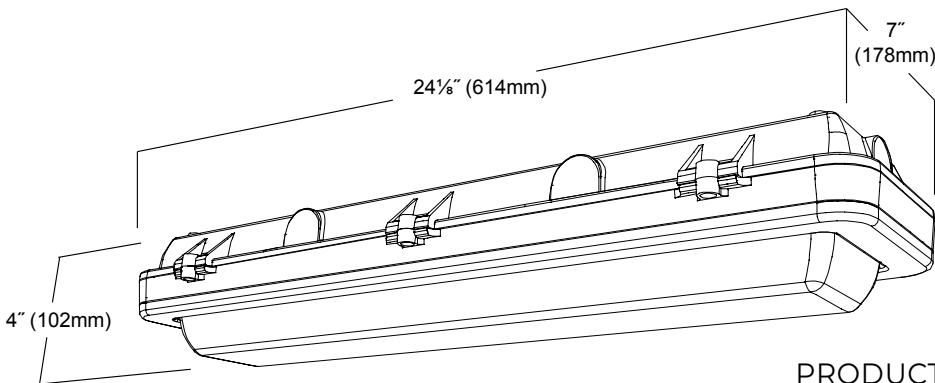
Stainless Steel Yoke
YK



Stainless Steel
Pivot Mount
PV

The Mariner Hazardous Location Light requires the Stainless Steel Pivot Mount or Yoke Mount in order to maintain its Hazardous Location Certification.

DIMENSIONS



PRODUCT DESIGNATIONS



Learn More About Class / Division with a Button Click.

