

The MARINER 1 Series Hazardous Location Lighting

HQH1

120-277vAC / 347-480vAC



Open Frame



Horizontal Hood



Vertical Hood

25.85" Length
58w / 77w

Cat. #	Type
Notes	

DESIGNATIONS



KEY FEATURES AND BENEFITS

- Class 1 Division II2 (Flammable Gases & Vapors).
- HazLoc ambient temperature capabilities: -25°C to 40°C (104°F).
- Heavy-Duty Die Cast Aluminum Housing.
- Tapped Conduit Entry All Four Sides.
- Gray Powdercoat Finish Over a Chromate Conversion Coating.
- Clear or Opal Polycarbonate Vandal-Resistant Lens.
- Internal Surge Protection - 2kV for 22w / 6kV for 37w.
- Easy installation and maintenance.
- Also available as Non-HazLoc Harsh Location.

Typical applications include walkways, stairwells, hallways, loading docks, wet locations and hazardous areas.

SPECIFICATIONS

NAME	The Mariner 1
Category	Hazardous Area Linear Lighting
Model #	HQH1
Voltage	120 - 277vAC
Class / Divisions	C1 / DII, Groups A, B, C, D
Ambient Temperature	-25°C to 40°C (104°F)
T - Rating	T4
Housing	Marine Grade Aluminum Alloy
Color	Gray
Lens	Clear Polycarbonate Vandal-Resistant Lens Opal Polycarbonate Vandal-Resistant Lens
Wattage	26w, 43w
Lifetime	170,000 hr. at L ₇₀ (25°C)
CRI	>70 cool white
Power Factor	>0.90
Color Temp	4000 & 5000 Kelvin
Dimensions	12.25" x 7" H x 4.25" D
NPT	3/4"
Warranty	5-Year Limited

MODEL	DESCRIPTION	WATTAGE	CLEAR LENS	OPAL LENS
HQH1-026	Open Frame	26	3,332 Lm	2,945 Lm
HQH1-043	Open Frame	43	5,538 Lm	4,948 Lm
HQH1C-026	Horizontal Hood	26	3,126 Lm	2,369 Lm
HQH1C-043	Horizontal Hood	43	4,879 Lm	4,071 Lm
HQV1C-026	Vertical Hood	26	3,305 Lm	2,705 Lm
HQV1C-043	Vertical Hood	43	5,292 Lm	4,399 Lm

MORE AVAILABLE MARINERS

The Mariner Line consists of 1 ft, 2 ft and 4 ft linears fixtures available in Hazardous Location or Non-Hazardous Industrial.



The MARINER 2 HQH2 - 25.85" length
58 w / 7,309 lumens | 77w 10,294 lumens



The MARINER HQH4 - 49" length
126 w / 16,287 lumens | 152w 19,773 lumens

PRODUCT ORDERING SELECTION

HQ					U	GR	
Series	Frame Type	Wattage	Kelvin	Lens	Voltage	Color	Mounting Options
HQ	<input type="checkbox"/> H1 - Open <input type="checkbox"/> H1H - Horizontal <input type="checkbox"/> V1C - Vertical	<input type="checkbox"/> 026 - 26 Watts <input type="checkbox"/> 043 - 43 Watts	<input type="checkbox"/> 40 - 4000K <input type="checkbox"/> 50 - 5000K	<input type="checkbox"/> PC - Clear Polycarbonate <input type="checkbox"/> LPC - Opal Polycarbonate	<input type="checkbox"/> U - 120 - 277	<input type="checkbox"/> GR - Gray (Standard)	<input type="checkbox"/> YK - Yoke Mount <input type="checkbox"/> PV - Pivot Mount

The MARINER 1 Series HazLoc

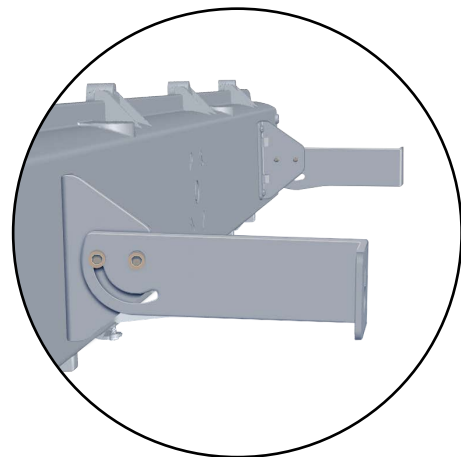
HQH1

120-277vAC / 347-480vAC

MOUNTING



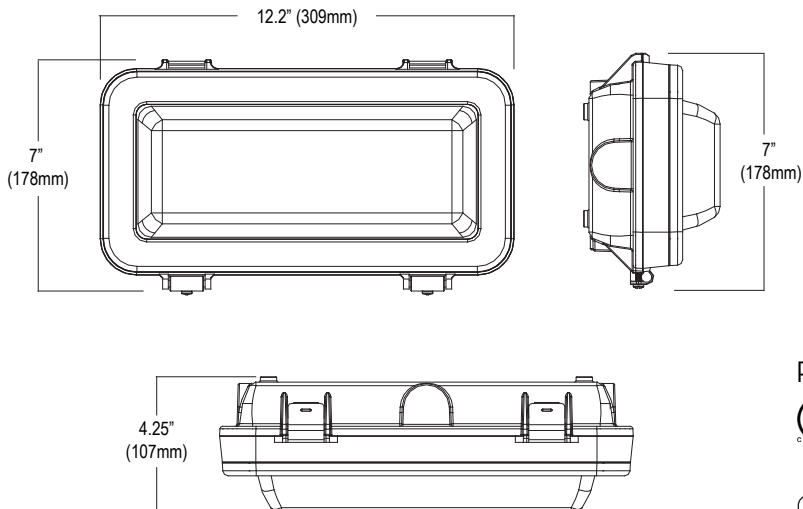
Stainless Steel Yoke
YK



Stainless Steel
Pivot Mount
PV

The Mariner Hazardous Location Light requires the Stainless Steel Pivot Mount or Yoke Mount in order to maintain its Hazardous Location Certification.

DIMENSIONS



PRODUCT DESIGNATIONS



Learn More About Class / Division with a Button Click.

