

# The FOREMAN Series Hazardous Location Lighting

## HJBR2

100 - 277vAC / 200 - 480vAC



Shown using Globe Lens with Wire Guard

High Vibration  
**RESISTANCE**

Cat. #	Type
Notes	

### DESIGNATIONS



### KEY FEATURES AND BENEFITS

- Two sizes for precise lighting based on wattage requirements.
- Class 1 Division 2 - Groups A, B, C, D (Flammable Gases & Vapors).
- Class 2 Division 1 - Groups E, F, G (Combustible Dusts).
- Class 2 Division 2 - Groups E, F, G (Combustible Dusts).
- Class 3 Divisions 1 & 2.
- Ambient temperature capabilities: -40°C to 50°C (122°F).
- Corrosion proof – Coated aluminum alloy (copper free) housing.
- Gray nylon corrosion resistant powder coat.
- Marine and wet location ready.

### SPECIFICATIONS

<b>NAME</b>	The Foreman
<b>Category</b>	Hazardous Area Lighting
<b>Model #</b>	HJBR2
<b>Voltage</b>	100 - 277vAC or 200 - 480vAC
<b>Ambient Temperatures</b>	-40°C to 50°C (122°F)
<b>T - Rating</b>	T3
<b>Housing</b>	Coated Copper Free Aluminum Alloy
<b>Color</b>	Gray
<b>Lens</b>	Flat or Globe Tempered Glass
<b>Wattage</b>	20w / 40w / 60w / 80w / 100w / 120w / 150w / 200w
<b>Efficacy</b>	140 lm/w
<b>Lifetime</b>	70,000 hr. at L70
<b>CRI</b>	>70 cool white
<b>Beam Angle</b>	40°, 60°, 90°, 120°
<b>Power Factor</b>	>0.95
<b>Color Temp</b>	4000 & 5000 Kelvin

<b>Weight</b>	12 - 18 lbs.
<b>Dimensions</b>	9.2" diameter x 9" high 10.6" diameter x 6.5" high
<b>NPT</b>	¾"
<b>Warranty</b>	5-Year Limited

Watts	Lumens	Voltage
20w	2,800	100-277
40w	5,600	100-277
60w	8,400	100-277 / 200-480
80w	11,200	100-277 / 200-480
100w	14,000	100-277 / 200-480
120w	16,800	100-277 / 200-480
150w	21,000	100-277 / 200-480
200w	28,000	100-277 / 200-480

### PRODUCT ORDERING SELECTION

<input type="text"/>	<input type="text"/>	<input type="text"/>	<input type="text"/>	<input type="text"/>	<input type="text"/>	<input type="text"/>
<b>Series</b> HJBR2	<b>Type-Watts</b> <input type="checkbox"/> 040 - 40 Watts <input type="checkbox"/> 060 - 60 Watts <input type="checkbox"/> 080 - 80 Watts <input type="checkbox"/> 100 - 100 Watts <input type="checkbox"/> 120 - 120 Watts <input type="checkbox"/> 150 - 150 Watts <input type="checkbox"/> 200 - 200 Watts	<b>Kelvin</b> <input type="checkbox"/> 40 - 4000K <input type="checkbox"/> 50 - 5000K	<b>Voltage</b> <input type="checkbox"/> U - 120 - 277v <input type="checkbox"/> 48 - 347 - 480v	<b>Lens</b> <input type="checkbox"/> FG - Flat Glass Lens <input type="checkbox"/> FL - Flood Glass Lens <input type="checkbox"/> GL-HJGU - Globe Lens with Wire Guard	<b>Mounting Options</b> <input type="checkbox"/> HJWA - Wall Arm <input type="checkbox"/> HJPP12 - 12" Pendant Pipe <input type="checkbox"/> HJPS90 - 90° Pole Stanchion <input type="checkbox"/> HJTB - Trunnion <input type="checkbox"/> HJCJB - Ceiling Junction Box <input type="checkbox"/> HJPP - Pendant Pipe <input type="checkbox"/> HJPS25 - 25" Pole Stanchion <input type="checkbox"/> HJW25 - 25° Junction Box Wall Arm <input type="checkbox"/> HJW90 - 90° Junction Box Wall Arm	<b>Other Options</b> <input type="checkbox"/> HJDR - Dome Reflective Hood <input type="checkbox"/> HJAR - Angled Reflective Hood

# The FOREMAN Series HazLoc

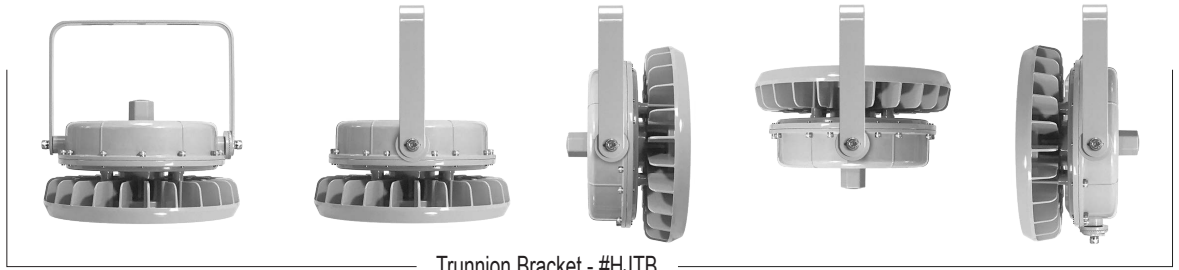
## HJBR2

100 - 277vAC / 200 - 480vAC

### MOUNTING



Wire Guard - #GL-HJGU  
(Standard with Globe Lens)



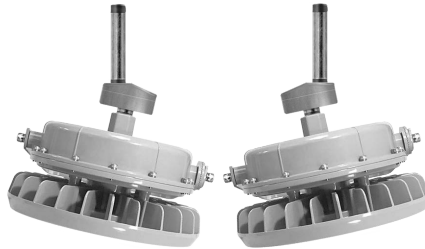
Trunnion Bracket - #HJTB



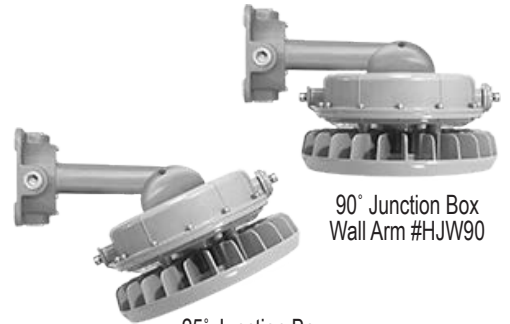
Ceiling Box - #HJCJB



Pendant Pipe - #HJPP

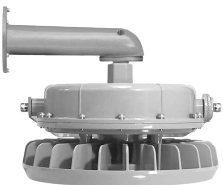


12° Pendant Pipe - #HJPP12

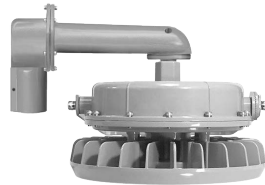


90° Junction Box  
Wall Arm #HJW90

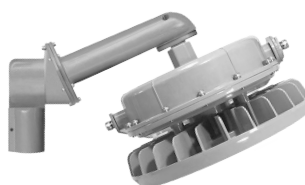
25° Junction Box  
Wall Arm #HJW25



Wall Arm - #HJWA



90° Pole Stanchion  
#HJPS90



25° Pole Stanchion  
#HJPS25

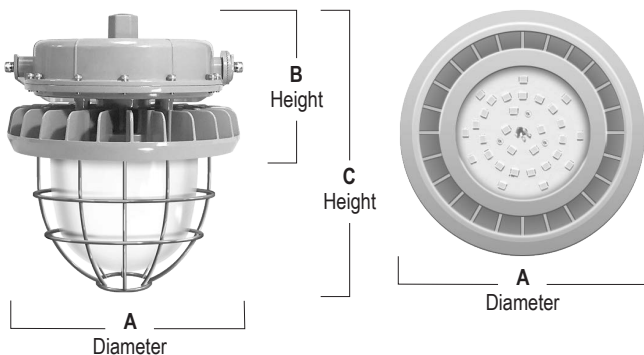


Dome Reflective Hood  
#HJDR



Angled Reflective Hood  
#HJAR

### DIMENSIONS



A Diameter	B Height	C Height	Wattages
9.2"	9"	14"	20w / 40w
10.6"	6.5"	15.5"	60w / 80w
14.62"	6.5"	15.5"	100w / 120w / 150w / 200w

### PRODUCT DESIGNATIONS



Learn More About Class / Division with a Button Click.

