

SPECIFICATIONS

LED floodLIGHTING

120-277 Universal & 347-480 High Voltage

Large LED Flood Light # FQFL



Slipfitter Mount

Pole Mount

This sealed Large Flood light luminaire is available with a choice of yoke or slip fitter mounting configurations and medium flood optical distribution.



Typical lighting applications include retail centers, industrial parks, schools and universities, public transit and airports, office buildings and medical facilities. Mounting attachment accessories for wall, pole, and ground locations to heights of 25 feet.



DesignLights Consortium
Qualified Luminaires:
[Link to FL65QF1X68U5KC](#)



lighting facts
LED Product Partner

IP 65

SPECIFICATIONS & FEATURES:

Housing:

Die-Cast Aluminum Housing & Hinged Gasketed Lens Frame.

Nickel-Plated Stainless Steel Hardware.

Listing & Ratings:

Wet Locations, ANSI/UL 1598, 8750

Finish:

Textured Architectural Bronze Powdercoat Finish Over Chromate Conversion Coating.
Custom Colors Available.

Lens:

Tempered Clear Flat Glass Lens or Tempered Clear Flat Prismatic Glass Lens.

Mounting Options:

Stamped Steel Small or Large Yoke, or Adjustable Die Cast Slipfitter with Angle Indicator.

LED:

Aluminum Boards

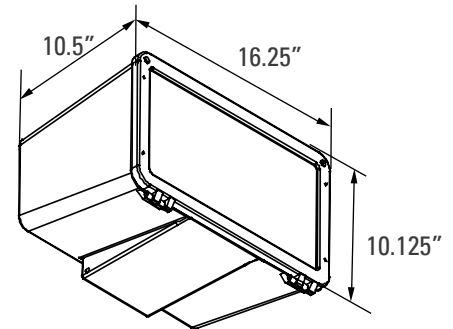
Wattage:

Array: 68.2w, System: 75w

Driver:

Electronic Driver, 120-277V, 50/60Hz or 347/480V, 50/60Hz; Dimmable Driver

5-Year Warranty.



PRODUCT DESCRIPTION

CATALOG NUMBER	NAME	WATTS	VOLTS	KELVIN	LUMENS	OPTICS	LENS
FQFL-068-40-V-CG-U	Flood	68w	120-277v	4K/5K	6,800 Lm	Type V	Clear Glass
FQFL-068-40-V-PG-U	Flood	68w	120-277v	4K/5K	7,400 Lm	Type V	Prismatic Glass
FQFL-068-40-V-CG-48	Flood	68w	347/480v	4K/5K	6,800 Lm	Type V	Clear Glass
FQFL-068-40-V-PG-48	Flood	68w	347/480v	4K/5K	7,400 Lm	Type V	Prismatic Glass

PRODUCT ORDER SELECTION

FQFL Series
 068 Type-Watts
 Kelvin
 Lens
 Voltage

FQFL
 068-68w
 5K-5000K
 CG-Clear Glass
 U-120-277

4K-4000K
 PG-Prismatic Glass
 48-347-480

Color
Z-Bronze (Std)
C-Custom

Options & Accessories

SF=Single Fuse DF=Double Fuse
 SP=Surge Protection P10=Photocell, 120VAC
 3-Pin 480V Twist Lock Photocell Receptacle with P18132 Shorting cap
 7-Pin ANSI C136.41-2013 Twist Lock Photocell Receptacle with P18132 shorting cap

Specifications and data are subject to change without notice.

LED floodLIGHTING

Large LED Flood Light

120-277 Universal & 347-480 High Voltage

ACCESSORIES

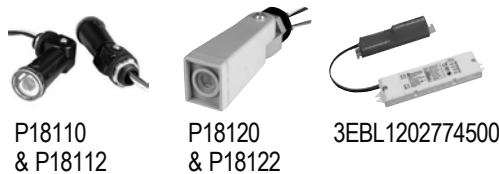


*Shown Mounted.

Order separately, Field installed

- FL65SWBZ = Heavy Duty Swivel Wall Bracket, 120° Rotation, Stamped Steel, Bronze Powdercoat Finish, Includes Hardware
- FL65GSZ = Glare Shield, Aluminum, Bronze Powdercoat Finish, Includes Hardware.
- FL65LG = Clear Polycarbonate Vandal Resistant Guard
- FL65WG = Wire Guard, Stainless Steel Construction
- P18140 = 110-120VAC Instant Twist Lock Photocell
- P18142 = 105-287VAC Instant Twist Lock Photocell
- P18150 = 120VAC Time Delay Twist Lock Photocell
- P18152 = 2 77VAC Time Delay Twist Lock Photocell
- P18131 = Twist Lock Non-Shorting (Open) Cap Disconnects Service to Fixture for Temporary or Permanent Disabling (Fixture Always Off). IP65, 480V Maximum.
- P18132 = Twist Lock Shorting Cap Provides Fixed Service to Fixture (Fixture Always on). IP65, Rated Load 7200w Tungsten.

REPLACEMENT PARTS

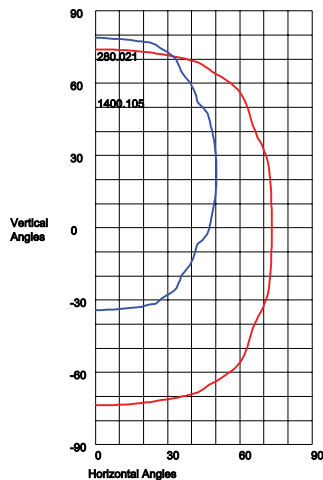


Order separately, Field installed

- L65GL = Tempered Clear Flat Glass Lens.
- FL65GLP = Tempered Prismatic Flat Glass Lens.
- FL65LYZ = Stamped Heavy-Duty Large Steel Yoke, Bronze Powdercoat Finish, Includes Hardware.
- FL65SYZ = Stamped Heavy-Duty Small Steel Yoke, Bronze Powdercoat Finish, Includes Hardware.
- FL73SFXZ = External Mount Die-Cast Adjustable Slipfitter for 2 3/8" Tenons, Bronze Powdercoat Finish, Includes Hardware.

PHOTOMETRIC DATA

Large LED Flood Light



Maximum Candela = 2800.21 Located At Horizontal Angle = 0, Vertical Angle = 3
 50% Maximum Candela = 1400.105
 10% Maximum Candela = 280.021

100°H x 110°V Beam, NEMA 7H x 7V



Specifications and data are subject to change without notice.